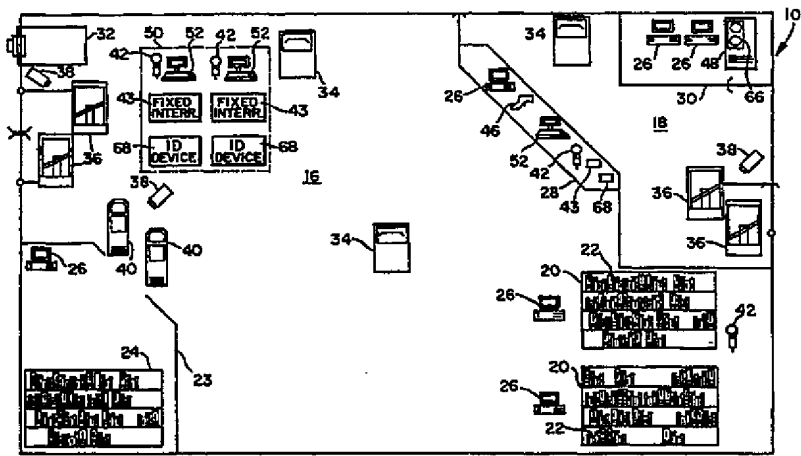




INTERNATIONAL APPLICATION PUBLISHED UNDER THE PATENT COOPERATION TREATY (PCT)

<p>(51) International Patent Classification <sup>6</sup> : <b>G08B 13/14</b></p>	<p><b>A1</b></p>	<p>(11) International Publication Number: <b>WO 99/05660</b> (43) International Publication Date: 4 February 1999 (04.02.99)</p>
<p>(21) International Application Number: PCT/US98/14637 (22) International Filing Date: 15 July 1998 (15.07.98) (30) Priority Data: 08/899,438 24 July 1997 (24.07.97) US (71) Applicant: CHECKPOINT SYSTEMS, INC. [US/US]; 101 Wolf Drive, P.O. Box 188, Thorofare, NJ 08086 (US). (72) Inventors: BOWERS, John, H.; P.O. Box 401, Clarksburg, NJ 08510-0401 (US). CLARE, Thomas, J.; Apartment C-216, 340 Media Station Road, Media, PA 19063 (US). (74) Agents: KASTEN, Leslie, L., Jr. et al.; Panitch Schwarze Jacobs &amp; Nadel, P.C., One Commerce Square, 22nd floor, 2005 Market Square, Philadelphia, PA 19103-7086 (US).</p>		<p>(81) Designated States: AL, AM, AT, AU, AZ, BA, BB, BG, BR, BY, CA, CH, CN, CU, CZ, DE, DK, EE, ES, FI, GB, GE, GH, GM, HR, HU, ID, IL, IS, JP, KE, KG, KP, KR, KZ, LC, LK, LR, LS, LT, LU, LV, MD, MG, MK, MN, MW, MX, NO, NZ, PL, PT, RO, RU, SD, SE, SG, SI, SK, SL, TJ, TM, TR, TT, UA, UG, UZ, VN, YU, ZW, ARIPO patent (GH, GM, KE, LS, MW, SD, SZ, UG, ZW), Eurasian patent (AM, AZ, BY, KG, KZ, MD, RU, TJ, TM), European patent (AT, BE, CH, CY, DE, DK, ES, FI, FR, GB, GR, IE, IT, LU, MC, NL, PT, SE), OAPI patent (BF, BJ, CF, CG, CI, CM, GA, GN, GW, ML, MR, NE, SN, TD, TG).</p> <p><b>Published</b> <i>With international search report.</i></p>

(54) Title: INVENTORY SYSTEM USING ARTICLES WITH RFID TAGS



(57) Abstract

An article inventory control system for articles (22), such as books, uses RFID tags attached to each article (22). Each tag has a unique identification or serial number for identifying the individual article (22). An inventory database tracks all of the tagged articles (22) and maintains circulation status information for each article (22). Articles are checked out of the library (10) using a patron self-checkout system. Checked out articles (22) are returned to the library by being deposited into an exterior smart book drop (32) which reads the RFID tag and automatically checks the article back in. Article data from the exterior smart book drop are used to generate reshelving reports for efficiently reshelving the articles. Articles which are used in the library (10), but not checked out, are returned to interior smart book drops (34) within the library (10) for reshelving. The interior smart book drops (34) capture data regarding in-house use of articles. The data are used to generate historical usage reports. The uncirculated articles (22) are stored on shelves of the library (10). The shelves are periodically scanned with an RFID scanner for updating inventory status.

**FOR THE PURPOSES OF INFORMATION ONLY**

Codes used to identify States party to the PCT on the front pages of pamphlets publishing international applications under the PCT.

AL	Albania	ES	Spain	LS	Lesotho	SI	Slovenia
AM	Armenia	FI	Finland	LT	Lithuania	SK	Slovakia
AT	Austria	FR	France	LU	Luxembourg	SN	Senegal
AU	Australia	GA	Gabon	LV	Latvia	SZ	Swaziland
AZ	Azerbaijan	GB	United Kingdom	MC	Monaco	TD	Chad
BA	Bosnia and Herzegovina	GE	Georgia	MD	Republic of Moldova	TG	Togo
BB	Barbados	GH	Ghana	MG	Madagascar	TJ	Tajikistan
BE	Belgium	GN	Guinea	MK	The former Yugoslav Republic of Macedonia	TM	Turkmenistan
BF	Burkina Faso	GR	Greece	ML	Mali	TR	Turkey
BG	Bulgaria	HU	Hungary	MN	Mongolia	TT	Trinidad and Tobago
BJ	Benin	IE	Ireland	MR	Mauritania	UA	Ukraine
BR	Brazil	IL	Israel	MW	Malawi	UG	Uganda
BY	Belarus	IS	Iceland	MX	Mexico	US	United States of America
CA	Canada	IT	Italy	NE	Niger	UZ	Uzbekistan
CF	Central African Republic	JP	Japan	NL	Netherlands	VN	Viet Nam
CG	Congo	KE	Kenya	NO	Norway	YU	Yugoslavia
CH	Switzerland	KG	Kyrgyzstan	NZ	New Zealand	ZW	Zimbabwe
CI	Côte d'Ivoire	KP	Democratic People's Republic of Korea	PL	Poland		
CM	Cameroon	KR	Republic of Korea	PT	Portugal		
CN	China	KZ	Kazakstan	RO	Romania		
CU	Cuba	LC	Saint Lucia	RU	Russian Federation		
CZ	Czech Republic	LI	Liechtenstein	SD	Sudan		
DE	Germany	LK	Sri Lanka	SE	Sweden		
DK	Denmark	LR	Liberia	SG	Singapore		
EE	Estonia						

TITLE OF THE INVENTION  
INVENTORY SYSTEM USING ARTICLES  
WITH RFID TAGS

BACKGROUND OF THE INVENTION

5           The present invention relates generally to library inventory and circulation control systems, and particularly to such systems which use RFID tags on books and the like.

Libraries face an enormous task of maintaining and controlling large inventories of books, periodicals, audio-  
10 visual products, and the like. To facilitate check-in/checkout, inventorying, and theft control of articles in the library collection, most libraries place bar codes and/or sensitizable magnetic strips on the articles. The bar codes allow the articles to be quickly identified using  
15 a scanner. The magnetic strip is used in conjunction with a magnetic detection device at the library exit for theft control. The magnetic strip is normally sensitized. When a patron checks out an article, the magnetic strip is desensitized. When the patron returns the article to the  
20 library, the magnetic strip is resensitized. The magnetic detection device triggers an alarm if a patron attempts to pass through a controlled exit carrying an article with a sensitized magnetic strip.

Magnetic strip-based systems have numerous disadvantages. Special equipment must be used to desensitize and resensitize the magnetic strips. Typically, library personnel must operate the equipment to ensure that check-in and checkout is performed accurately. An example of such a system is described in U.S. Patent No. 4,141,078 (Bridges, Jr. et al.). Another library check-in/checkout system which relies upon tagged articles and which is designed to be operated solely by a patron is described in U.S. Patent No. 5,288,980 (Patel et al.). Yet another general purpose article inventory control system suitable for use in a library is disclosed in U.S. Patent No. 4,881,061 (Chambers).

Existing library procedures for handling articles are time consuming and lead to many errors. Reshelving articles is a particularly error-prone, time consuming task. Many articles are returned to the wrong location in the library and are subsequently presumed to be lost until discovered during full inventory checks. Furthermore, taking inventory of a library collection is currently such an expensive and time consuming task that most libraries do not conduct a full inventory check as frequently as they should, if at all.

Libraries often review checkout data to determine which articles are of the most interest to their patrons. This information may be used to make decisions about new purchases or to better allocate existing resources. However, libraries fail to capture a large amount of information regarding usage of their collection by patrons

who do not check out the articles but who use the articles while in the library. In fact, so-called "internal circulation" makes up 2/3 to 3/4 of the total circulation of many libraries. Thus, checkout data fails to accurately  
5 measure which articles are of interest to certain patrons.

The largest expense in running a library is personnel costs. Libraries are constantly searching for ways to perform necessary functions with less employees.

Accordingly, there is still a need for systems  
10 which allow library employees to further reduce the time and effort spent in article handling, and which provide library managers with better information about how their collection is being used. The present invention fills these needs.

#### BRIEF SUMMARY OF THE INVENTION

15 The present invention provides an inventory control system for use in conjunction with articles which are maintained in a storage area. Each of the articles has an RFID tag attached thereto. Each tag includes an antenna for use in detecting the presence of the article by  
20 receiving an interrogation signal and returning a response signal. The tag also includes an integrated circuit connected to the antenna for storing article identification information and for outputting the article identification information with the response signal upon interrogation of  
25 the tag. The system comprises at least one article return area for receiving articles which were removed from the storage area and which are to be returned to the storage area, the returned article passing through a zone as the

article is returned; an interrogator for monitoring the zone for disturbances in the form of a response signal caused by the presence of a tag within the zone, the interrogator outputting an interrogator output signal when a tag is detected in the zone, each interrogator output signal including the identification information stored in the integrated circuit of an interrogated tag; and a database for receiving the interrogator output signals, the database including inventory data for articles monitored by the system including checkout status data, the received interrogator output signals being used to update the checkout status data.

In another embodiment, the present invention comprises an inventory control method for use in conjunction with articles which are maintained in a storage area. Each of the articles has a radio frequency tag attached thereto, with each tag including an antenna for use in detecting the presence of the article by receiving an interrogation signal and returning a response signal. Each tag also has an integrated circuit connected to the antenna for storing article identification information and for outputting the article identification information with the response signal upon interrogation of the tag. The method comprises the steps of:

- (a) scanning a portion of the storage area with a mobile interrogator, the mobile interrogator detecting disturbances in the form of response signals caused by the presence of tags within a predefined zone extending from the interrogator and outputting an interrogator output signal

when a tag is detected in the zone, each interrogator output signal including the identification information stored in the integrated circuit of an interrogated tag;

5 (b) repeating step (a) for an adjacent portion of the storage area and for all remaining portions of the storage area; and

10 (c) receiving the interrogator output signals in a database, the database including inventory data for the articles maintained in the storage area, the received interrogator output signals being used to update the inventory data.

The present invention further comprises a library inventory control system for use in conjunction with articles which are maintained in a storage area. Each of 15 the articles has a radio frequency tag attached thereto. Each tag includes an antenna for use in detecting the presence of the article by receiving an interrogation signal and returning a response signal and an integrated circuit connected to the antenna for storing article identification 20 information and for outputting the article identification information with the response signal upon interrogation of the tag. The system comprises an inventory database and a mobile interrogator. The database includes a list of articles in the library and the circulation status of each 25 of the articles. The mobile interrogator scans the storage area in discrete portions, detecting disturbances in the form of a response signal caused by the presence of tags within a predefined zone extending from the interrogator. The interrogator also outputs an interrogator output signal

when a tag is detected in the zone. Each interrogator output signal includes the identification information stored in the integrated circuit of an interrogated tag. The inventory database receives the identification information and uses the identification information to update the circulation status of the articles stored therein.

In yet another embodiment, the present invention is a self-service checkout system for a library having articles available for checkout by patrons. Each of the articles has a radio frequency tag attached thereto and each tag includes an antenna for use in detecting the presence of the article by receiving an interrogation signal and returning a response signal and an integrated circuit connected to the antenna for storing article identification information and for outputting the article identification information with the response signal upon interrogation of the tag by an interrogator. The system also has a plurality of patron identification cards, each including a radio frequency tag. The system comprises an interrogator, an inventory database, and a processor. The interrogator is located in a checkout area of the library for interrogating at least one article which the patron wants to borrow and substantially simultaneously interrogating a patron identification (ID) card which identifies a patron to the system. The interrogator receives a response signal containing the stored article identification information for each of the articles to be borrowed and patron identification information from the ID card. The interrogator receives the response signals regardless of the



orientation of the articles or patron identification card. The inventory database includes a list of articles in the library and the circulation status of each of the articles. The database receives the patron identification information and the article identification information for each of the  
5 articles to be borrowed. The processor is in communication with the database and updates the circulation status of the articles to be borrowed.

In another embodiment, the present invention is a  
10 self-service checkout system for a library. The library has articles available for checkout by patrons. Each of the articles has a radio frequency tag attached thereto, and each tag includes an antenna for use in detecting the presence of the article by receiving an interrogation signal  
15 and returning a response signal and an integrated circuit connected to the antenna for storing article identification information and for outputting the article identification information with the response signal upon interrogation of the tag by an interrogator. The system comprises a tray for  
20 holding a plurality of articles; an interrogator for substantially simultaneously interrogating the plurality of articles placed on the tray which the patron wants to borrow, the interrogator receiving a response signal containing the stored article identification information for  
25 each of the plurality of articles to be borrowed, wherein the interrogator receives the response signals regardless of the orientation of the articles; an inventory database including the articles in the library and the circulation status of each of the articles, the database receiving the

article identification information for the article to be borrowed; and a processor in communication with the database for updating the circulation status of the articles to be borrowed.

5                   In another embodiment, the present invention is a library inventory control system for use in conjunction with articles which are maintained in a storage area. Each of the articles has a radio frequency tag attached thereto including an antenna for use in detecting the presence of  
10 the article by receiving an interrogation signal and returning a response signal and an integrated circuit connected to the antenna for storing article identification information and for outputting the article identification information with the response signal upon interrogation of  
15 the tag by an interrogator. The system comprises an inventory database including a list of the articles in the library and the circulation status of each such article; a patron identification device for identifying a patron to the system; an article checkout system located in an article  
20 checkout area, the checkout system including a first interrogator for interrogating an article that the patron wants to remove from the storage area, the first interrogator receiving a response signal containing the stored article identification information for the article to  
25 be removed; a processor in communication with the first interrogator and the database, the processor receiving the patron identification information and the article identification information for the article to be removed from the first interrogator, and updating the inventory

database with the circulation status of the article to be removed; an article check-in system including at least one article return area for receiving articles which were removed from the storage area and which are to be returned to the storage area, each returned article passing through a check-in zone as the article is returned; a second interrogator in communication with the processor, the second interrogator monitoring the check-in zone for disturbances in the form of a response signal caused by the presence of a tag within the zone, and outputting an interrogator output signal when a tag is detected in the zone, each interrogator output signal including the identification information stored in the integrated circuit of an interrogated tag for the article being returned, wherein the inventory database receives the interrogator output signals and updates the checkout status data of the article being returned therewith.

A further embodiment of the present invention is a library inventory control system for use in conjunction with articles which are maintained in the library. Each of the articles has a radio frequency tag attached thereto, each tag including an antenna for use in detecting the presence of the article by receiving an interrogation signal and returning a response signal and an integrated circuit connected to the antenna for storing article identification information and for outputting the article identification information with the response signal upon interrogation of the tag by an interrogator. The system comprises:

an inventory database including a list of the articles in the library and the circulation status of each such article;

5 a patron identification device for identifying a patron to the system;

an article checkout system located in an article checkout area of the library, the checkout system including a first interrogator for interrogating an article that the patron wants to remove from the library, the first  
10 interrogator receiving a response signal containing the stored article identification information for the article to be removed;

a processor in communication with the first interrogator and the database, the processor receiving the  
15 patron identification information and the article identification information for the article to be removed from the first interrogator, and updating the inventory database with the circulation status of the article to be removed;

20 a video camera for capturing images of the checkout area and outputting video signals of the captured images;

a video recorder for storing the video signals on a video storage medium;

25 an article check-in system including at least one article return area for receiving articles which were removed from the library, each returned article passing through a check-in zone as the article is returned;

a second interrogator in communication with the inventory database, the second interrogator monitoring the check-in zone for disturbances in the form of a response signal caused by the presence of a tag within the zone, and  
5 outputting an interrogator output signal when a tag is detected in the zone, each interrogator output signal including the identification information stored in the integrated circuit of an interrogated tag for the article being returned, wherein the inventory database receives the  
10 interrogator output signals and updates the checkout status of the article being returned using the interrogator output signals;

a mobile interrogator for scanning discrete portions of the library and detecting disturbances in the  
15 form of response signals caused by the presence of tags within a predefined zone extending from the mobile interrogator, and for outputting an interrogator output signal when a tag is detected in the zone, each interrogator output signal including the identification information  
20 stored in the integrated circuit of an interrogated tag, wherein the database receives the identification information and updates the circulation status of the articles stored therein with the information;

an exit interrogator for monitoring an exit  
25 from the library, the exit interrogator for interrogating an article passing through the exit and thereby being removed from the library, the exit interrogator receiving a response signal from the tag associated with the article, the

response signal containing the stored article identification information for the article passing through the exit;

an exit processor coupled to the exit interrogator, the exit processor receiving an output signal  
5 from the exit interrogator including the identification information of the response signal, wherein the exit processor compares the received identification information with the information stored in the database to determine  
10 whether the article is recorded therein as checked out, wherein the exit interrogator activates an alarm if the article passing through the exit is not recorded in the database as checked out; and

a zone interrogator located at an exit of a predefined area of the library, the zone interrogator for  
15 detecting the removal of tagged articles from the predefined area, wherein the zone interrogator activates an alarm in response to the detection of the removal of an article from the predefined area.

#### BRIEF DESCRIPTION OF THE DRAWINGS

20 The foregoing summary, as well as the following detailed description of preferred embodiments of the invention, will be better understood when read in conjunction with the appended drawings. For the purpose of illustrating the invention, there are shown in the drawings  
25 embodiments which are presently preferred. It should be understood, however, that the invention is not limited to the precise arrangements and instrumentalities shown. In the drawings:

Fig. 1 is a schematic layout diagram of a library for illustrating general features of the present invention;

Fig. 2 is a block diagram schematic of an RFID tag suitable for use on articles circulated by the library of Fig. 1;

Fig. 3 is a detailed functional block diagram schematic of an interrogator for use in reading the tag of Fig. 2;

Fig. 4 is a sample of database records for tagged articles used by the library of Fig. 1;

Fig. 5 is a block diagram schematic of a patron self-checkout system for use in the library of Fig. 1;

Fig. 6 is a block diagram schematic of a smart book drop for use in the library of Fig. 1;

Fig. 7 is a sample of a reshelving report generated from data collected by the smart book drop of Fig. 6;

Fig. 8 is a sample of a historical usage report generated from data collected by internal smart book drops of Fig. 7;

Fig. 9 is a block diagram schematic of a shelf scanning inventory system;

Fig. 10 is a top view of a row of shelves and shows an interrogation zone for conducting an inventory of articles using the system of Fig. 9;

Fig. 11 is a front elevational view of a multi-row shelf and illustrates a method of conducting an inventory of articles using the system of Fig. 9; and

Fig. 12 shows an alternative inputting process for the patron self-checkout system in Fig. 5.

#### DETAILED DESCRIPTION OF THE INVENTION

Certain terminology is used herein for convenience only and is not to be taken as a limitation on the present invention. In the drawings, the same reference numerals are employed for designating the same elements throughout the several figures.

Fig. 1 is a schematic diagram of a storage area in the form of a library 10 for use in explaining the novel features of the present invention. While the present invention is explained in the environment of a library, the scope of the invention includes other environments in which articles are maintained in a storage area and are periodically removed (permanently) or are borrowed for limited periods of time by patrons, such as video stores, rental stores, or the like. The storage area may also be associated with a commercial/industrial environment, and may, for example, be a tool crib, maintenance depot, or the like.

An interrogator, as defined herein, is a device which is used to couple energy to an RFID tag to power the tag and to receive data from the tag. The present invention uses different forms of interrogators, including scanners, "smart" and "dumb" pedestals, and the like.

Referring to Fig. 1, the library 10 is divided into a public space area 16 for use by library patrons, and an employee space area 18. The public space area 16



includes a storage area in the form of a plurality of shelves or stacks 20 for holding articles such as books, periodicals, audio tapes, CD's, video tapes, wall art, sheet music and the like 22, a periodical room 23 having  
5 additional shelves or stacks 24, and a plurality of on-line computerized catalogs 26 of library holdings. A circulation desk 28 separates a portion of the public space area 16 from a portion of the employee space area 18. The employee space area 18 includes a back office operations area 30.  
10 Additional on-line computerized catalogs 26 are located at the circulation desk 28 and in the back office operations area 30. Other miscellaneous computer equipment may be placed in these locations, such as a bar code reader 46, or a computer 48. A database associated with the computer 48  
15 stores inventory data on all of the articles 22 in the library collection, as well as data regarding articles 22 checked out by patrons. The on-line catalogs 26 are connected to the computer 48 and its database. All of the features and elements described above are conventional.  
20 Libraries also typically include areas devoted to other resource information, such as videos, CD-ROMs, cassettes or the like. For brevity, these alternative resources are not shown in Fig. 1. Throughout the specification, the word articles and books are used interchangeably. However, it  
25 should be understood that the scope of the word "article" includes other types of items which are typically found in a library, such as videos, CD-ROMs, cassettes, newspapers or the like.

The library 10 further includes elements which are associated with novel methods and systems for inventory control and article usage tracking.

5 First, the library includes a plurality of "smart" article return areas or book drops. Prior art book drops merely functioned to provide a temporary storage location for books which were being returned by patrons for check-in and reshelving. The "smart" book drops of the present invention interrogate the articles 22 as they pass into the  
10 book drop and read, record and process information about their identity. Fig. 1 shows one smart exterior article return area or book drop 32 and three smart interior article return areas or book drops 34. The exterior book drop 32 allows patrons to return articles when the library 10 is  
15 closed or when the patron does not wish to physically enter the library 10. The library policy might also require all checked out articles 22 to be returned to the exterior book drop 32. The book drops 32 or 34 may thus function as a check-in terminal for articles 22 being returned. The  
20 interior book drops 34 may be placed in the public area 16 and/or in the employee space area 18. When patrons return articles 22 to the circulation desk 28, an employee places the article 22 in the interior book drop 34 located in the employee space area 18. Patrons may also place borrowed  
25 articles 22 in either of the publicly located interior book drops 34. In both instances, the borrowed articles may be articles being returned after being checked out or articles which were used by the patron while in the library but which were not checked out. Each of the articles 22 have a radio

frequency identification (RFID) tag, sometimes referred to as an "intelligent tag" attached thereto. The RFID tag thus becomes an intelligent security tag in the disclosed embodiment of the invention. The RFID tags are described 5 below with respect to Fig. 2. When the RFID tags are properly interrogated, they return unique information which can be used to determine the identity of the article 22 and its proper location in the library.

Second, the library 10 includes one or more pairs 10 of "smart" pedestals 36. A pair of "smart pedestals" as described, are pedestal-configured devices which contain interrogators capable of communicating with RFID tags. A pair of smart pedestals 36 reads RFID tags when tagged articles 22 are within a predesignated zone between the 15 pedestals 36. In Fig. 1, one pair of smart pedestals 36 monitors a zone in which a patron must pass through to enter or exit the library 10. Another pair of smart pedestals 36 monitors a zone in which employees enter and exit the library 10. Each of the zones are optionally monitored by a 20 surveillance camera 38 or a biometric measurement device. The output of each pair of smart pedestals 36 is connected to the database of the computer 48 for verifying whether detected articles 22 within the zone between the pedestals 36 have been properly checked out. The library 10 may also 25 include a pair of sensors, referred to herein as "dumb pedestals 40", for detecting the presence of articles carrying prior art security tags, such as magnetic security tags or non-intelligent resonant security tags. The dumb pedestals 40 may be used to ensure that periodicals remain

within a designated portion of the library 10 (e.g., periodical room 23). Alternatively, the dumb pedestals 40 may be similar to the smart pedestals 36 but are not connected to the database of the computer 48. Since no  
5 articles 24 are permitted to be removed from the periodical room 23, the detection of any article 24 between the dumb pedestals 40 triggers an alarm.

Third, the library 10 includes portable radio frequency (RFID) tag scanners or so-called "RFID scanners".  
10 These scanners can read identification information associated with an RFID tag, as described more fully below. One RFID scanner 42 is shown at the circulation desk 28, and a portable scanner 42 is shown adjacent to a set of book  
15 shelves 20. Two additional scanners 42 are associated with a novel checkout station, described next. When portability is not required, a fixed interrogator 43 may be used at the circulation desk 28 and novel checkout station in place of, or in conjunction with, the portable scanner 42.

Fourth, the library includes a patron self-  
20 checkout station 50 for allowing library patrons to check out articles 22 for removal from the premises. The checkout station 50 includes a fixed interrogator 43, and optionally, one or more optional portable RFID scanners 42, both of which are used for identifying articles 22 presented at the  
25 checkout station 50. The checkout station 50 also includes at least one computer terminal 52 for receiving data from the fixed interrogator 43 and scanner 42. The computer terminal 52 is also connected to a patron identification device 68. The circulation desk 28 also includes a fixed

interrogator 43, an optional scanner 42, computer terminal 52 and patron identification device 68 which may be used by either patrons or employees for article checkout. The patron self-checkout station 50 is described in more detail 5 below with respect to Fig. 5.

The novel systems of the present invention all use an RFID tag which is attached to each article 22. While such tags are well-known in the prior art, one particular type of RFID tag which is particularly suitable for use with 10 the present invention is a passive radio frequency tag having an antenna, and in the preferred embodiment, an RFID tag comprising an antenna or inductor coil connected to an integrated circuit.

Fig. 2 shows general details of a sample RFID tag 15 54, suitable for use with the present invention. The tag 54 includes a passive resonant radio frequency (RF) circuit 56 for use in detecting when the tag 54 is within a zone monitored by a reader or interrogator, as is well-known in the art. One well-known type of circuit 56 has a coil 20 antenna 58 and a capacitor 60 which together form a resonant circuit with a predetermined resonant frequency *i.e.*, the selected radio frequency. Power for the tag 54 is derived from the antenna 58 in a conventional manner. Furthermore, the tag 54 includes an integrated circuit (IC) 62 for 25 providing "intelligence" to the tag 54. The IC 62 is connected to the circuit 56. The IC 62 includes a programmable memory 64, such as a 64 bit memory, for storing bits of identification data. Of course, other tag designs could also be used with the present invention, and the

invention is not limited to the particular tag 54 shown. For instance, the capacitor 60 could be located on the IC 62, with only an inductor coil being outside the IC 62.

The IC 62 outputs a data stream comprised of the  
5 64 bits of stored data when sufficient power is applied thereto. In one embodiment of the invention, the data stream creates a series of data pulses by switching an extra capacitor (not shown) across the coil antenna 58 for the duration of the data pulses. This changes the resonant  
10 frequency of the RF circuit 56, detuning it from the operational frequency. Thus, instead of the RF circuit 56 returning a simple response signal, it returns a signal containing a packet of preprogrammed information. The packet of information (data pulses) is received and  
15 processed by interrogator receiving circuitry and is decoded (if necessary) to provide identification information about the article 22. Other methods of using the data in the IC memory 64 to output identification data from the tag 54 are within the scope of the invention. The IC 62 is preferably  
20 also a passive device and is powered in the same manner as the RF circuit 56 (i.e., by using energy received at the antenna 58 from the interrogator transmitter signal). The tag 54 is thus a so-called "radio frequency identification (RFID) tag". Other types of RFID tags may be used with the  
25 present invention. Examples of other RFID tags which are suitable for use as the tag 54 are shown in U.S. Patents Nos. 5,446,447 (Carney et al.), 5,430,441 (Bickley et al.), and 5,347,263 (Carroll et al.). Typically, RFID tags are not physically deactivated. That is, they are not

permanently shorted out in a manner which prevents reuse, and they are not rendered inactive by magnetizing or demagnetizing a magnet therein.

Fig. 3 is a block diagram schematic of a reader or interrogator 100 suitable for use with the tag 54 described in Fig. 2. The interrogator 100 and the tag 54 communicate by inductive coupling, as is well-known in the art. The interrogator 100 includes a transmitter 102, receiver 104, antenna assembly 106, and data processing and control circuitry 108, each having inputs and outputs. The output of the transmitter 102 is connected to a first input of the receiver 104, and to the input of the antenna assembly 106. The output of the antenna assembly 106 is connected to a second input of the receiver 104. A first and a second output of the data processing and control circuitry 108 are connected to the input of the transmitter 102 and to a third input of the receiver 104, respectively. Furthermore, the output of the receiver 104 is connected to the input of the data processing and control circuitry 108. Interrogators having this general configuration may be built using circuitry described in U.S. Patents Nos. 3,752,960, 3,816,708, 4,223,830 and 4,580,041, all issued to Walton, all of which are incorporated by reference in their entirety herein. The interrogator 100 is physically implemented as a pair of smart pedestals 36, or as a portable RFID scanner 42, as illustrated in Fig. 1.

One preferred embodiment of a portable scanner 42 has a plate or disc-like resonant circuit antenna about six inches to about eight inches in diameter, and is mounted on

an arm extension to reach top and bottom shelves of book stacks.

Before any of the novel systems of the present invention are implemented, the library 10 tags the articles 5 22 and sets up a database within the computer 48 of all tagged articles 22. Ideally, all of the articles 22 in the library are tagged. However, the systems can function, although less efficiently, even if not every article is tagged. In one embodiment of the invention, the library 10 10 receives blank (unprogrammed) tags 54, assigns unique serial numbers to each of the tags 54 by suitable programming (if they are not already preassigned), physically attaches the tags 54 to each of the articles 22, and creates a database which correlates each tag 54, specifically the unique serial 15 number thereof, to the respective article 22. The programming step is eliminated if the articles 22 arrive pretagged at the library 10.

In the example illustrated herein, the library 10 applies tags 54 to 100 articles. Next, an inventory 20 database is created in the following manner:

1. An article 22 is read by a fixed interrogator 43 or by a portable RFID scanner 42 which extracts the unique programmed serial number from the tag 54.
2. A database record is added for the serial 25 number.
3. Next, item identification information is obtained for the article 22, by any means, such as by reading existing bar codes or labels on the article 22 or by manually entering identifying information or reading such



information from another database or storage device. The item identification information is then added to the database record for the respective tag serial number. Most large libraries already have an automated on-line catalog which is generated from an existing database of their collection (i.e., articles 22). Thus, the library 10 need only add information to an existing data field to identify the serial number of the specific tag 54 which is attached to the article 22, rather than create an entirely new database of information for tagged articles 22.

Alternatively, the library 10 could maintain its existing on-line catalog and create a new database for tracking the status of the tagged articles 22. The discussion below presumes that the library 10 sets up either a fully integrated database or that the on-line catalog information is linked with the tagged article database so that all available information about an article 22 is easily retrievable. The database of articles 22 in the library collection also includes circulation status information (not shown), such as whether an article 22 is checked out, who has checked it out, and when it is due back (i.e., article due data).

Fig. 4 is a sample of a sequence of database records created by the process described above. Each record includes a field for tag identification information (e.g., the serial number of the tag 22) and a field for item identification information. Tag identification information correlates with "article identification information" and so is also referred to as "article identification information."

That is, because the tag serial number is unique, it may be used to identify the article. The item identification information may be a Dewey Decimal System call number, a Library of Congress call number, ISBN number, or an  
5 arbitrarily assigned number. The last digit of item identification information may be used to identify the copy number of the item in the library's inventory. Item identification information may also include any part of the bibliographic data, such as title, author, publisher and the  
10 like. Optionally, the database record may include additional information, such as a predetermined location of a large library system where the article 22 is stored. Universities typically have individual department libraries, in addition to a main library. Large governmental library  
15 systems have plural branches. The additional location information may be used to properly identify the articles 22 with such respective locations. The database of tagged articles 22 (whether constructed as a separate database or whether appended to the existing on-line catalog 26) is  
20 stored in the computer 48 as database 66, but may also be stored in a remote computer (not shown).

The database 66 may also optionally include a field for maintaining the checkout status of each article 22 and a field for maintaining the present location of the  
25 article 22. For instance, a checked out article is flagged as checked out in the checkout status field and the patron identification number of the patron who checked out the article is stored in the patron ID field. The patron ID field may also signify that the article is presently on the

library shelf (for instance, with a zero (000000) stored in the Patron ID field) and indicate that the article has been returned and not yet reshelved (for instance, with a 000001 stored in the Patron ID field). It will be understood that  
5 the checkout status and the patron ID field, as well as other fields, may be stored in a separate database, or stored as a linked list, and that other information may also be stored in the database 66 or linked to the database 66.

Figs. 5, 6 and 9 show systems in accordance with  
10 the present invention which can be implemented after the articles 22 are tagged and the database 66 is established. More particularly, Fig. 5 shows a patron self-checkout system, Fig. 6 shows a smart book drop, and Fig. 9 shows a shelf scanning inventory system. For clarity, these figures  
15 are described together with Fig. 1.

Referring to Fig. 5, there is shown a schematic block diagram of the patron self-checkout system 50 in Fig. 1. When a patron wishes to check out an article 22 from the library collection, the patron identifies himself or herself  
20 to the system through a patron identification (ID) device 68. The patron ID device 68 may be a card reader, such as a bar code reader or magnetic stripe reader for reading data from a patron's library card. The patron ID device 68 may also be the same fixed interrogator 43 or RFID scanner 42  
25 used for interrogating articles 22. Alternatively, the patron ID device 68 may be a biometric (physiological) reading device, such as a fingerprint or iris scanner. In another alternative embodiment of the invention, the patron may directly identify himself or herself to the system 50 by

entering an ID and/or password into the computer terminal  
52. The patron ID data is received by the computer terminal  
52 which communicates with a database of patrons stored in  
the computer 48 to verify that the patron is authorized to  
5 check out articles 22. If the patron is not in the patron  
database or if the patron is delinquent, the checkout  
procedure may be either terminated or the computer terminal  
may enter a patron registration routine. After the patron  
is identified and determined to be an authorized user, the  
10 checkout process may begin by performing the following  
steps. The patron manipulates either the article 22 to be  
checked out and/or the fixed interrogator 43 or scanner 42  
so as to interrogate the tag 54 associated with the article  
22 and read the data returned by the tag 54. Since the  
15 article 22 is preferably tagged with the RFID tag 54, the  
article 22 need only be placed in proximity to the  
interrogator 43 or scanner 42. The data output from the  
interrogator 43 or scanner 42 includes the serial number of  
the tag 54. The tag serial number is sent directly, or  
20 through the computer terminal 52, to the computer 48 which  
locates the appropriate record for the article 22 in its  
database 66. If an article 22 is properly checked into the  
library 10, a patron may check it out. The database 66 is  
then updated to show that the article 22 has been checked  
25 out to the patron currently using the station 50. These  
checkout steps are repeated for each article 22 that the  
patron wishes to check out.

Fig. 12 shows an alternative inputting process for  
the patron self-checkout system 50 in Figs. 1 and 5. All of

the articles 22 which the patron wishes to check out may be placed on a tray 150 or in a predefined interrogation zone, such as a housing, in the proximity of the fixed interrogator 43' which simultaneously interrogates all of the articles 22. RFID interrogators do not require a line of sight, and thus may simultaneously interrogate multiple tags which are placed in a defined region regardless of their orientation in the region. The interrogator 43' may also be designed to read both a patron ID card 152 (which may also include a tag 54), as well as the tags 54 attached to the articles 22. Thus, the patron ID device 68 of Fig. 5 may be incorporated into the interrogator 43' of Fig. 12. To check out, the patron merely places the ID card 152 and the articles 22 in a defined region, and initiates a checkout process. The data output from the interrogator 43' is communicated to the database 48 either directly or via the computer terminal 52 (Fig. 5).

The computer terminal 52 may be used to prompt the patron through the checkout steps and to return information regarding the steps, such as messages verifying the result of each article interrogation. The computer terminal 52 may also inform a patron of the due date for the article 22 and may optionally include a printer for generating a record of the checkout transaction and due date for the patron.

To ensure that only articles 22 which were properly checked out are removed from the library 10, the pair of smart pedestals 36 (which incorporates the elements of the interrogator 100 of Fig. 3 therein) interrogates the articles 22 as they pass through a zone in which a patron or

employee must pass through to exit the library 10. The status of each interrogated article 22 is checked in the database 66. If an article 22 is not properly checked out, a visible and/or audio alarm is triggered to alert the patron and library employees to the problem. Alternatively, the alarm may cause a gate (not shown) to lock, thereby preventing the patron or employee from exiting the library 10. Alternatively, the information about the non-checked out article is recorded in a database and no alarm is activated. As noted above, the exit zones are optionally monitored by a surveillance camera 38 or biometric measurement device which is activated by the alarm signal to record an image or biometric data of the patron or employee passing through the zone. The image would be useful if the patron or employee disregards the alarm and exits the library 10 with the unchecked out article(s) 22.

In an optional configuration, check out occurs automatically as the patron exits the library. In this embodiment, the interrogator associated with the smart pedestals 36 can read both the patron ID card (which is also includes an RFID tag) as well as the tags 54 attached to the articles 22. As the patron walks past the smart pedestals 36, the articles 22 are automatically checked out. Alternatively, the patron may be required to insert an identification card into a card reader which unlocks an exit door or passage barrier. Smart pedestals 36 are placed at the exit door or passage barrier. As the patron passes through the exit door or passage barrier, the interrogator

associated with the smart pedestals 36 checks out the articles 22.

These optional configurations are particularly suitable for unattended libraries, typically found in private, corporate or university settings.

If the tag of the article 22 has write or rewrite capabilities, one or more bits of tag memory may be used to indicate the "checked out" status of the article 22. During checkout, the appropriate changes are made to the one or more bits. In this case, if the interrogator associated with the smart pedestals 36 detects that the article has been properly checked out, it is not necessary to search the database 66 to determine the status of the article 22, and the patron passes through the zone without sounding any alarms or causing any article database searching to occur.

Referring to Fig. 6, there is shown a schematic block diagram of an exterior smart book drop 32 in Fig. 1. When a patron wishes to return an article 22 to the library 10, the patron merely deposits the article 22 into the smart book drop 32. The exterior smart book drop 32 includes a tray, a panel, a compartment, or the like (labeled as 138), for initially supporting the articles 22 placed in the book drop 32. The exterior boundary of the tray 138 is coincident with an interrogation zone 110 defined by dashed lines in Fig. 6. The book drop 32 also includes a collection bin 112 for receiving and holding articles 22 accepted by the book drop 32.

In operation, once a patron gains access to the tray 138 and places articles 22 thereon, an interrogator 100

reads the tags 54 of the articles 22 and compares the received serial numbers of the read articles 22 with the serial numbers in its database 66. If the articles 22 belong to the library 10, the book drop 32 allows the  
5 articles 22 to pass into the collection bin 112 (such as by releasing a gate 114) and signals to the database 66 in the computer 48 that the articles 22 were returned. Otherwise, a display panel or like (not shown) informs the patron that the articles 22 do not belong to the library 10 and should  
10 be removed from the tray 138. If the articles do not have tags 54, and the library 10 has tagged its entire collection, the library 10 also informs the patron that the articles do not belong to the library 10 and should be removed from the tray 138. If the articles do not have tags  
15 54, and the library 10 has not tagged its entire collection, the library 10 may wish to accept the articles even though they might not belong to the library collection. Any articles which do not belong to the library 10 are processed by the library employees after the collection bin 112 is  
20 emptied.

In alternative embodiments of the book drop 32, there is no tray 138. Instead, the articles 22 are merely dropped into the book drop 32 through a slot and fall directly into the collection bin 112. The articles 22 are  
25 read by the interrogator 100 as they fall into the collection bin 112, or all at once before the bin 112 is emptied. If the articles 22 are interrogated all at once, it is only necessary that the range of the interrogator 100 be sufficient to reach all areas of the bin 112.



One problem with exterior book drops is that vandals sometimes try to damage articles previously inserted into the book drop or try to damage to the book drop itself. For example, a vandal might pour liquids or messy food items  
5 into the book drop. In the worst case, a vandal might pour flammable liquids or burning objects into the book drop to try to start a fire therein. To minimize access to internal parts of the exterior smart book drop 32 by vandals, the book drop 32 may include a patron ID device 68 similar to  
10 that described in Fig. 5, and an access door 140 for gaining access to the tray 138. The access door 140 opens only if the patron is an authorized user.

The book drop 32 may also have means to detect a jam caused by a stuck article 22, and means to report the  
15 jam to the computer 48. A jam can be presumed if the interrogator 100 repeatedly detects the same serial number in the interrogation zone 110 over an extended period of time.

At periodic intervals, the library employees empty  
20 the collection bin 112 and reshelve the articles 22. To ensure that all articles are properly checked back in, the library employees may wish to interrogate the collection bin 112 before the articles 22 are reshelved. Optionally, a check-in reader may be positioned adjacent to the book drop  
25 or book return processing work space wherein the employee may cause articles 22 to be interrogated as part of the sorting and handling process. A terminal associated with the check-in interrogator can provide instructions to the employee about special handling requirements and the like.

The data generated by the exterior book drop 32 are used by the database 66 to create a bin contents report and a reshelving report. The bin contents report may be used to quickly determine if a particular article of interest is in the collection bin 112 without having to physically sort through the bin 112. The bin contents report may also highlight articles 22 which are normally kept on reserve or which were requested by another patron. The bin contents report also provides general data about the articles 22 in the collection bin 112. One type of bin contents report is a reshelving report which may be used for article reshelving. Libraries devote an enormous amount of labor resources to reshelve articles (e.g., books, periodicals and the like) in their collection. Typically, all of the articles 22 are brought to a central location, sorted by location (e.g., floor, stack or shelf, row), placed on different carts and delivered to their respective shelving locations. The reshelving report can be used to dramatically reduce the time and effort spent to reshelve articles 22.

Fig. 7 is a sample of a reshelving report 116 generated by five articles 22 in a collection bin 112. The report 116 provides a listing of articles 22 ordered according to shelf location. The shelf location may be the row of shelves which contains the respective article, or any other designating information to assist the employee in returning the articles 22, such as floor/shelf location.

Providing such a sorted shelving report 116 can aid the reshelving process. For instance, in one method of

reshelving using the report 116, an employee merely moves the collection bin 112 to the first location listed on the reshelving report 116, locates in the collection bin 112 the first article 22 on the report 116, and places it on the shelf. This process may then be repeated for each article 22 on the reshelving report 116. If the collection bin 112 is not movable, the articles 22 may need only be transferred to a movable cart and the process above performed by moving the movable cart from location to location. The reshelving report 116 is preferably ordered to take advantage of a preprogrammed shortest path route through the library. Generating a shortest path route from predesignated locations is well-known in the prior art.

Referring again to Fig. 1, the library 10 includes one or more interior smart book drops 34 in the public area 16 and/or the employee space area 18. The interior book drops 34 are similar to the exterior book drop 32, except that most of the articles 22 placed in the interior book drops 34 are articles 22 that the library patrons use while in the library, but which are not checked out. Thus, it is not necessary to update the status of the returned articles 22 to indicate that they are checked back in. However, the database 66 in the computer 48 should be checked and updated, if necessary, because some of the articles 22 placed in the interior book drops 34 may be previously checked out articles 22 which are being returned by patrons.

A bin contents report is also generated from the interior book drops 34. (The report does not include previously checked out articles 22 which are being returned

by patrons, since this information is tracked elsewhere). Bin contents reports are accumulated over a period of time and used to generate a historical usage report of articles 22 which are used by patrons within the library 10, but  
5 which are not checked out. This information is extremely valuable because it allows the library 10 to capture internal usage data about articles 22 in its collection. Libraries constantly evaluate usage patterns of articles in its collection to determine trends in patron interest to  
10 decide what types of new articles 22 to purchase, when to remove articles 22 from the library floor, how floor space should be most effectively used, and to assist in other management tasks. Currently, libraries rely on checkout data, observations by librarians, and comments and requests  
15 by patrons to evaluate these issues. However, checkout data does not capture all of the patron activity associated with a library. Patrons typically do not check out every article 22 of interest to them. A large percentage of articles 22 are reference items which cannot be checked out. Some  
20 patrons may be embarrassed to check out certain articles and read them only at the library. Some articles 22 do not need to be checked out because the patron can quickly obtain the information of interest from the article 22 while in the library. Observations by librarians and comments and  
25 requests by patrons may not accurately capture the interests of certain patrons. The historical usage reports generated from interior book drop data allow the library to better capture patron trends and interests.

Fig. 8 is a sample historical usage report 136. Of course, the data may be presented and sorted by any appropriate field. Likewise, the historical usage report 136 for the interior book drops 34 may be merged with a  
5 historical usage report (not shown) for checked out articles 22 to obtain a more accurate picture of articles 22 of interest to all patrons.

To most efficiently reshelve articles 22, all of the articles placed in the interior and exterior book drops  
10 34 and 32 may be periodically brought to a single movable cart, and reshelving reports from the interior and exterior book drops 34 and 32 may be merged into a single reshelving report for the single cart.

Information derived from the contents of the book  
15 drops 32 and 34 may also be used to help locate a particularly "hot" article 22 which another patron has requested. Library staff presently spend a disproportionate amount of time circulating relatively few hot articles 22. By knowing exactly which book drop 32, 34 contains the hot  
20 article 22, the time and effort spent recirculating the hot articles 22 is reduced.

Fig. 9 shows a shelf scanning inventory system 120 for the library 10 in Fig. 1. The system 120 is used to perform inventory and to verify that articles 22 are placed  
25 on the proper shelf. Taking inventory of the library's entire collection is an extremely labor intensive and error-prone activity. By using the system 120, the inventory process can be greatly simplified and performed by lower

skilled employees. Accordingly, inventory checks can be performed more frequently than is the current practice.

The system 120 is implemented using a portable RFID scanner 42 connected at its output to a portable computer 122. The portable computer 122 stores the data collected by the RFID scanner 42 in a memory 130 and downloads the data to the computer 48 for updating of the database 66. In one embodiment of the invention, the portable computer 122 and computer 48 each include a wireless communication device 132 for allowing the portable computer 122 to continuously send the scanner data to the computer 48. In another embodiment of the invention, the portable computer 122 is periodically hardwired or otherwise physically connected to the computer 48 for downloading the data from the memory 130.

Referring to Fig. 9, in operation, the RFID scanner 42 is brought into the proximity of a shelf 124, and a first portion 126<sub>1</sub> of the shelf 124 is interrogated by the scanner 42. The scanner 42 reads the return signals (serial numbers) from the tagged articles 22. The serial numbers are processed and stored in the memory 130 of the portable computer 122, and communicated to the database of the computer 48. Next, the scanner 42 is moved to an adjacent shelf portion 126<sub>2</sub>, or to another shelf, and the process is repeated. To ensure that no shelf portions are missed, the scanner 42 may overlap a small region of an adjacent, previously scanned shelf portion 126. This process causes articles 22 in overlap region 128 to be scanned twice. However, if each article 22 has a unique serial number,

double scanning has no effect on the accuracy of the inventory scan because the second reading can be ignored.

Referring to Figs. 9 and 10, the first portion 126, is within a predefined zone 134 extending from the scanner 42. Preferably, the strength of the interrogation signal emanating from the scanner 42 is strong enough to effectively interrogate all articles 22 on first portion 126, of the shelf 124, but not strong enough to reach articles 22 on adjacent rows of shelves. This feature is illustrated in Fig. 10 by the imaginary dashed line demarcating the predefined zone 134 which is parallel to the shelves.

After all article holding locations in the library 10 are scanned, the detected serial numbers are compared with the library inventory stored in the database 66 of articles that have not been checked out. A missing article report is generated of all articles 22 which were not located during the scanning process and which have not been checked out. Before an article 22 is presumed to be missing, the shelf should be physically inspected to determine whether the article 22 was merely missed by the scanning process or whether the tag 54 is missing or defective.

The system 120 may also be used to identify mislocated or misshelved articles 22. As each zone 134 is interrogated, the portable computer 122 and/or computer 48 checks to see if any of the read tags 54 are associated with articles 22 which do not belong in the scanned portion 126. For example, if the zone 134 covers books having call

numbers from AD-140-xxxx to AD-190-xxxx, any articles 22  
which have call numbers outside of this range are presumed  
to be misshelved. The portable computer 122 may signal the  
employee to locate and properly shelve the misshelved  
5 article 22. It should be recognized that many minor  
reshelving errors will not be detected by this method, such  
as when articles 22 with adjacent call numbers are  
transposed on the shelf (e.g., if AD-140-332D is on the  
right side of AD-140-332E, instead of the left side where it  
10 belongs).

The tag interrogators and scanners used in the  
present invention can detect a plurality of articles 22  
which are simultaneously passed through an interrogator, or  
which are simultaneously scanned. In most instances, each  
15 of the articles 22 receive and respond to the interrogation  
signal at a different instance in time, even when the  
articles 22 are physically close together. The string of  
returned signals is processed to sort out the individual  
IDs. However, if two articles 22 return an ID signal at  
20 exactly the same instance, the interrogator or scanner can  
either sort out the returned signals to recover the two  
distinct IDs. Alternatively, the interrogator or scanner  
can ignore the simultaneously received signals and use  
subsequent return signals which are not simultaneously  
25 received to sort out the individual IDs.

Other variations of the present invention, without  
limitation, are listed below.

(1) Instead of storing and outputting a serial  
number, the tag 54 may store and output data about the



article itself, such as its title or call number. Book publishers and the like may attach and program the tags 54 using an industry recognized coding scheme at the time books are printed.

5                   (2) As discussed above, the tag 54 may have "write" capabilities, thereby allowing it to also store data about the circulation or checkout status of the article 22. The write capabilities may also be used to store data regarding the patron who checked out the article 22, as well  
10 as its due date.

                  (3) The focus of the scanned portion 126 in Fig. 9 can be made very small and narrow so that only one or a few articles 22 are scanned at one time. Thus, the zone 134 in Fig. 10 would encompass only one or a few articles 22.  
15 For example, Fig. 11 shows a scheme wherein the RFID scanner 42 is moved along a single row 144 of articles 22 within a shelf 124. Each row 144 is scanned separately. (For clarity, only the top portion of the scanner 42 is shown in Fig. 11.) Narrowing the zone 134 increases the time  
20 required to conduct inventory because the scanner 42 must be physically moved more often to cover each shelf. However, misshelved articles 22 are more easily located by scanning a narrower zone. For example, if articles 22 are scanned one by one, the system computers 66 and/or 122 can verify  
25 whether each article has a successively greater (or smaller) call number. In this manner, adjacent transposed articles 22 can be detected.

                  (4) The patron self-checkout system 50 of Fig. 5 may optionally include a debit card reader 142 connected to

the computer terminal 52 for allowing a delinquent patron to pay fines. In this manner, the patron can quickly remedy the delinquency and become immediately authorized to check out subsequent articles 22.

5                   (5) Research institutions often allow graduate students to keep articles at an assigned carol or kiosk somewhere in the building without checking them out of the building. Ideally, students are supposed to take the articles to the circulation desk to record that the articles  
10 are temporarily located at the assigned carol. However, students often neglect to do so. The shelf scanning inventory system 120 may be used to capture these stray articles. Periodically, library employees may walk from carol to carol and scan all of the articles at each carol.  
15 A location code identifying the carol may be appended to each article before or after they are scanned.

                  (6) It is often not feasible to tag certain articles, such as rare books or multi-media products (e.g., CD-ROMs). Accordingly, the patron's identification card may  
20 be used to track usage of the article and/or to control access into and out of a selected area of the library where the article is to be used. In this scheme, the patron ID card would preferably be an RFID tagged card. For example, if the patron borrows an item from a multi-media lab, the  
25 patron's RFID card and the article's jacket or holder (which is tagged) would be read and associated with each other. If the article is very expensive (e.g., the eight CD-ROM version of the Oxford English Dictionary costs libraries \$895 per copy), the exit to the multi-media lab may be

blocked if the patron attempts to exit the lab before returning the set of CD-ROMs, as well as the holder.

(7) The smart pedestals 36 may be designed to detect both conventional, (non-intelligent) deactivatable resonant tags and tags 54. In this manner, the same interrogation device may be used to detect the removal of conventionally tagged articles which have not been properly deactivated. Likewise, the dumb pedestals 40 may be designed to detect both tags 54 and conventional, (non-intelligent) deactivatable resonant tags. In this manner, an RFID tagged article which passes into or out of the periodical room 23 will be detected.

(8) The database records shown in Fig. 4 may include a security field for each tagged article 22. The security field may identify restrictions on the circulation of the article 22. For example, the security field may indicate that the article 22 must remain within the periodical room 23, or the multi-media lab described above. The security field may indicate that the article 22 can only be checked out by selected patrons, such as graduate students, or other predefined groups of patrons. These restrictions are checked by the computer 48 when the article 22 is detected at a check-out counter or at a pedestal 36.

(9) The term "checkout" is typically associated with borrowing books or the like from a library. However, "checkout" of an article is equivalent to "removal" of an article in contexts wherein checkout does not necessarily involve the borrowing of an article from a storage area.

(10) While the preferred embodiments of the invention use pairs of pedestals at exits, single pedestal interrogators may also be used where appropriate.

(11) The database records of selected articles  
5 may be changed by authorized library personnel without the presence of the article. For example, it may be desirable to set an alarm at a library entrance to trigger if an overdue article is detected. It may also be desirable to recall an article before its due date so that if the patron  
10 brings the properly checked out article to the library, the library employees are alerted to its presence.

It will be appreciated by those skilled in the art that changes could be made to the embodiments described above without departing from the broad inventive concept  
15 thereof. It is understood, therefore, that this invention is not limited to the particular embodiments disclosed, but it is intended to cover modifications within the spirit and scope of the present invention as defined by the appended claims.

## CLAIMS

1. An inventory control system for use in conjunction with articles which are maintained in a storage area, each of the articles having a radio frequency tag attached thereto, each tag including an antenna for use in detecting the presence of the article by receiving an interrogation signal and returning a response signal and an integrated circuit connected to the antenna for storing article identification information and for outputting the article identification information with the response signal upon interrogation of the tag, the system comprising:

(a) at least one article return area for receiving articles which were removed from the storage area and which are to be returned to the storage area, the returned article passing through a zone as the article is returned;

(b) an interrogator for monitoring the zone for disturbances in the form of a response signal caused by the presence of a tag within the zone, the interrogator outputting an interrogator output signal when a tag is detected in the zone, each interrogator output signal including the identification information stored in the integrated circuit of an interrogated tag; and

(c) a database for receiving the interrogator output signals, the database including inventory data for articles monitored by the system including checkout status data, the received interrogator

output signals being used to update the checkout status data.

2. The system according to claim 1 wherein the system tracks articles associated with a library which are available for checkout by patrons, and the storage area comprises shelves of a library.

3. The system according to claim 2 wherein the article return area is a library book drop.

4. The system according to claim 1 wherein the system tracks articles associated with a library and the at least one article return area is within the library, the inventory data further including article usage data.

5. The system according to claim 1, wherein the database includes storage area location data for the articles monitored by the system.

6. The system according to claim 5 further comprising a computer in communication with the database, the computer including means for generating a report of the storage area locations for articles in the article return area, the report facilitating return of articles to their respective, appropriate locations in the storage area.

7. An inventory control method for use in conjunction with articles which are maintained in a storage

area, each of the articles having a radio frequency tag attached thereto, each tag including an antenna for use in detecting the presence of the article by receiving an interrogation signal and returning a response signal and an integrated circuit connected to the antenna for storing article identification information and for outputting the article identification information with the response signal upon interrogation of the tag, the method comprising the steps of:

(a) scanning a portion of the storage area with a mobile interrogator, the mobile interrogator detecting disturbances in the form of response signals caused by the presence of tags within a predefined zone extending from the interrogator and outputting an interrogator output signal when a tag is detected in the zone, each interrogator output signal including the identification information stored in the integrated circuit of an interrogated tag;

(b) repeating step (a) for an adjacent portion of the storage area and for all remaining portions of the storage area; and

(c) receiving the interrogator output signals in a database, the database including inventory data for the articles maintained in the storage area, the received interrogator output signals being used to update the inventory data.

8. The method according to claim 7, wherein the storage area comprises rows of shelves in a library, step

(a) comprising scanning each shelf by scanning successive adjacent portions of the shelf.

9. The method according to claim 7 further including the step of:

(d) using the received interrogator output signals and the inventory data to determine whether an article in a particular scanned portion is outside of a range of articles which belong in the scanned portion, and, if so;

(e) signaling that the article is mislocated.

10. A library inventory control system for use in conjunction with articles which are maintained in a storage area, each of the articles having a radio frequency tag attached thereto, each tag including an antenna for use in detecting the presence of the article by receiving an interrogation signal and returning a response signal and an integrated circuit connected to the antenna for storing article identification information and for outputting the article identification information with the response signal upon interrogation of the tag, the system comprising:

(a) an inventory database including a list of articles in the library and the circulation status of each of the articles; and

(b) a mobile interrogator for scanning the storage area in discrete portions, detecting disturbances in the form of a response signal caused by the presence of



tags within a predefined zone extending from the interrogator, and for outputting an interrogator output signal when a tag is detected in the zone, each interrogator output signal including the identification information stored in the integrated circuit of an interrogated tag, the inventory database receiving the identification information and using the identification information to update the circulation status of the articles stored therein.

11. The system according to claim 10 wherein the tags are physically non-deactivatable tags.

12. A self-service checkout system for a library having articles available for checkout by patrons, each of the articles having a radio frequency tag attached thereto, each tag including an antenna for use in detecting the presence of the article by receiving an interrogation signal and returning a response signal and an integrated circuit connected to the antenna for storing article identification information and for outputting the article identification information with the response signal upon interrogation of the tag by an interrogator, the system also having a plurality of patron identification cards, each including a radio frequency tag, the system comprising:

(a) an interrogator located in a checkout area of the library for interrogating at least one article which the patron wants to borrow and substantially simultaneously interrogating a patron identification (ID) card which identifies a patron to the system, the

interrogator receiving a response signal containing the stored article identification information for each of the articles to be borrowed and patron identification information from the ID card, wherein the interrogator receives the response signals regardless of the orientation of the articles or patron identification card;

(b) an inventory database including a list of articles in the library and the circulation status of each of the articles, the database receiving the patron identification information and the article identification information for each of the articles to be borrowed; and

(c) a processor in communication with the database for updating the circulation status of the articles to be borrowed.

13. The system according to claim 12 further comprising:

(d) a video camera for capturing images of the checkout area and outputting video signals of the captured images; and

(e) a video recorder for storing the video signals on a video storage medium.

14. The system according to claim 12 wherein the tag is a physically non-deactivatable tag.

15. A self-service checkout system for a library having articles available for checkout by patrons, each of the articles having a radio frequency tag attached thereto,

each tag including an antenna for use in detecting the presence of the article by receiving an interrogation signal and returning a response signal and an integrated circuit connected to the antenna for storing article identification information and for outputting the article identification information with the response signal upon interrogation of the tag by an interrogator, the system comprising:

a tray for holding a plurality of articles;  
an interrogator for substantially simultaneously interrogating the plurality of articles placed on the tray which the patron wants to borrow, the interrogator receiving a response signal containing the stored article identification information for each of the plurality of articles to be borrowed, wherein the interrogator receives the response signals regardless of the orientation of the articles;

an inventory database including the articles in the library and the circulation status of each of the articles, the database receiving the article identification information for the article to be borrowed; and

a processor in communication with the database for updating the circulation status of the articles to be borrowed.

16. The system according to claim 15 further comprising a patron identification (ID) card comprising a radio frequency identification tag, the patron ID card including patron identification information electronically stored thereon, wherein the patron ID card is placed on the

tray and interrogated substantially simultaneously with the articles to be burrowed.

17. The system according to claim 16 wherein the database includes a field for storing the patron ID corresponding to the burrowed articles.

18. The system according to claim 15 further comprising:

a video camera for capturing images of the checkout area and outputting video signals of the captured images; and

a video recorder for storing the video signals on a video storage medium.

19. A library inventory control system for use in conjunction with articles which are maintained in a storage area, each of the articles having a radio frequency tag attached thereto, each tag including an antenna for use in detecting the presence of the article by receiving an interrogation signal and returning a response signal and an integrated circuit connected to the antenna for storing article identification information and for outputting the article identification information with the response signal upon interrogation of the tag by an interrogator, the system comprising:

an inventory database including a list of the articles in the library and the circulation status of each such article;

a patron identification device for identifying a patron to the system;

an article checkout system located in an article checkout area, the checkout system including a first interrogator for interrogating an article that the patron wants to remove from the storage area, the first interrogator receiving a response signal containing the stored article identification information for the article to be removed;

a processor in communication with the first interrogator and the database, the processor receiving the patron identification information and the article identification information for the article to be removed from the first interrogator, and updating the inventory database with the circulation status of the article to be removed;

an article check-in system including at least one article return area for receiving articles which were removed from the storage area and which are to be returned to the storage area, each returned article passing through a check-in zone as the article is returned; and

a second interrogator in communication with the processor, the second interrogator monitoring the check-in zone for disturbances in the form of a response signal caused by the presence of a tag within the zone, and outputting an interrogator output signal when a tag is detected in the zone, each interrogator output signal including the identification information stored in the integrated circuit of an interrogated tag for the article

being returned, wherein the inventory database receives the interrogator output signals and updates the checkout status data of the article being returned therewith.

20. The system according to claim 19 further comprising:

a mobile interrogator for scanning the storage area in discrete portions, detecting disturbances in the form of response signals caused by the presence of tags within a predefined zone extending from the mobile interrogator, and for outputting an interrogator output signal when a tag is detected in the zone, each interrogator output signal including the identification information stored in the integrated circuit of an interrogated tag, wherein the database receives the identification information and updates the circulation status of the articles stored therein with the information.

21. The system according to claim 19 further comprising:

a video camera for capturing images of the checkout area and outputting video signals of the captured images; and

a video recorder for storing the video signals on a video storage medium.

22. The system according to claim 19 further comprising:

an exit interrogator for monitoring an exit from the storage area, the exit interrogator for interrogating an article passing through the exit and thereby being removed from the storage area, the exit interrogator receiving a response signal from the tag associated with the article, the response signal containing the stored article identification information for the article passing through the exit.

23. The system according to claim 22 further comprising an exit processor coupled to the exit interrogator, the processor receiving an output signal from the exit interrogator including the identification information of the response signal, wherein the processor compares the received identification information with the information stored in the database to determine whether the article is recorded therein as checked out.

24. The system according to claim 23 wherein the exit interrogator activates an alarm if the article passing through the exit is not recorded in the database as checked out.

25. The system according to claim 19 wherein the tag is a physically non-deactivatable tag.

26. The system according to claim 19 wherein the library includes a periodical room, the system further comprising a zone interrogator located at an exit of the

periodical room for detecting the removal of tagged articles therefrom.

27. The system according to claim 26 wherein the zone interrogator activates an alarm in response to the detection of the removal of an article from the periodical room.

28. A library inventory control system for use in conjunction with articles which are maintained in the library, each of the articles having a radio frequency tag attached thereto, each tag including an antenna for use in detecting the presence of the article by receiving an interrogation signal and returning a response signal and an integrated circuit connected to the antenna for storing article identification information and for outputting the article identification information with the response signal upon interrogation of the tag by an interrogator, the system comprising:

an inventory database including a list of the articles in the library and the circulation status of each such article;

a patron identification device for identifying a patron to the system;

an article checkout system located in an article checkout area of the library, the checkout system including a first interrogator for interrogating an article that the patron wants to remove from the library, the first interrogator receiving a response signal containing the



stored article identification information for the article to be removed;

a processor in communication with the first interrogator and the database, the processor receiving the patron identification information and the article identification information for the article to be removed from the first interrogator, and updating the inventory database with the circulation status of the article to be removed;

a video camera for capturing images of the checkout area and outputting video signals of the captured images;

a video recorder for storing the video signals on a video storage medium;

an article check-in system including at least one article return area for receiving articles which were removed from the library, each returned article passing through a check-in zone as the article is returned;

a second interrogator in communication with the inventory database, the second interrogator monitoring the check-in zone for disturbances in the form of a response signal caused by the presence of a tag within the zone, and outputting an interrogator output signal when a tag is detected in the zone, each interrogator output signal including the identification information stored in the integrated circuit of an interrogated tag for the article being returned, wherein the inventory database receives the interrogator output signals and updates the checkout status

of the article being returned using the interrogator output signals;

a mobile interrogator for scanning discrete portions of the library and detecting disturbances in the form of response signals caused by the presence of tags within a predefined zone extending from the mobile interrogator, and for outputting an interrogator output signal when a tag is detected in the zone, each interrogator output signal including the identification information stored in the integrated circuit of an interrogated tag, wherein the database receives the identification information and updates the circulation status of the articles stored therein with the information;

an exit interrogator for monitoring an exit from the library, the exit interrogator for interrogating an article passing through the exit and thereby being removed from the library, the exit interrogator receiving a response signal from the tag associated with the article, the response signal containing the stored article identification information for the article passing through the exit;

an exit processor coupled to the exit interrogator, the exit processor receiving an output signal from the exit interrogator including the identification information of the response signal, wherein the exit processor compares the received identification information with the information stored in the database to determine whether the article is recorded therein as checked out, wherein the exit interrogator activates an alarm if the

article passing through the exit is not recorded in the database as checked out; and

a zone interrogator located at an exit of a predefined area of the library, the zone interrogator for detecting the removal of tagged articles from the predefined area, wherein the zone interrogator activates an alarm in response to the detection of the removal of an article from the predefined area.

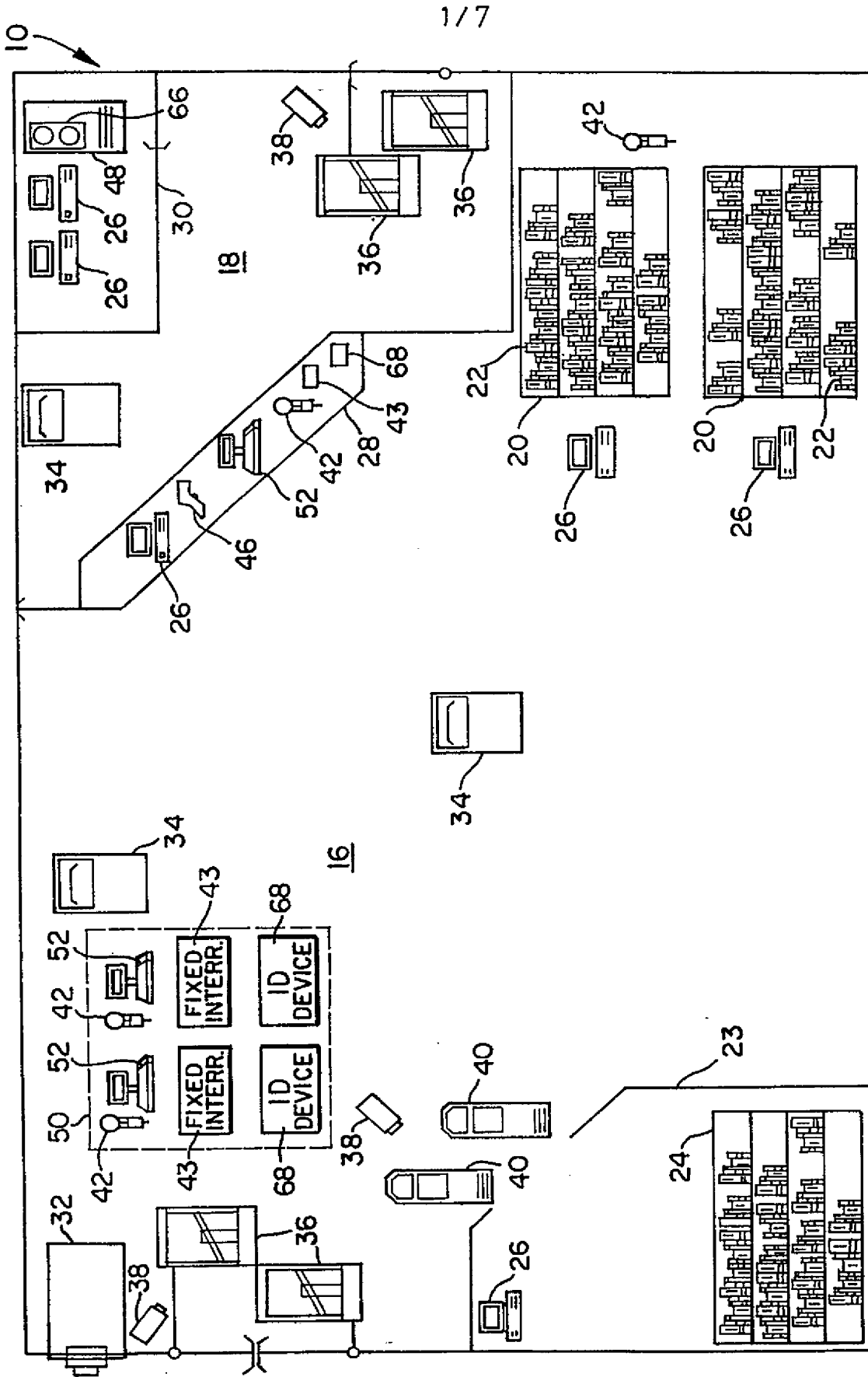


FIG. 1

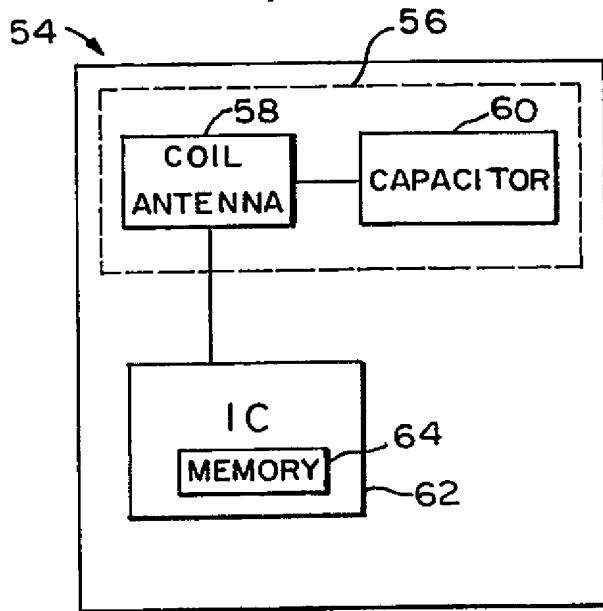


FIG. 2

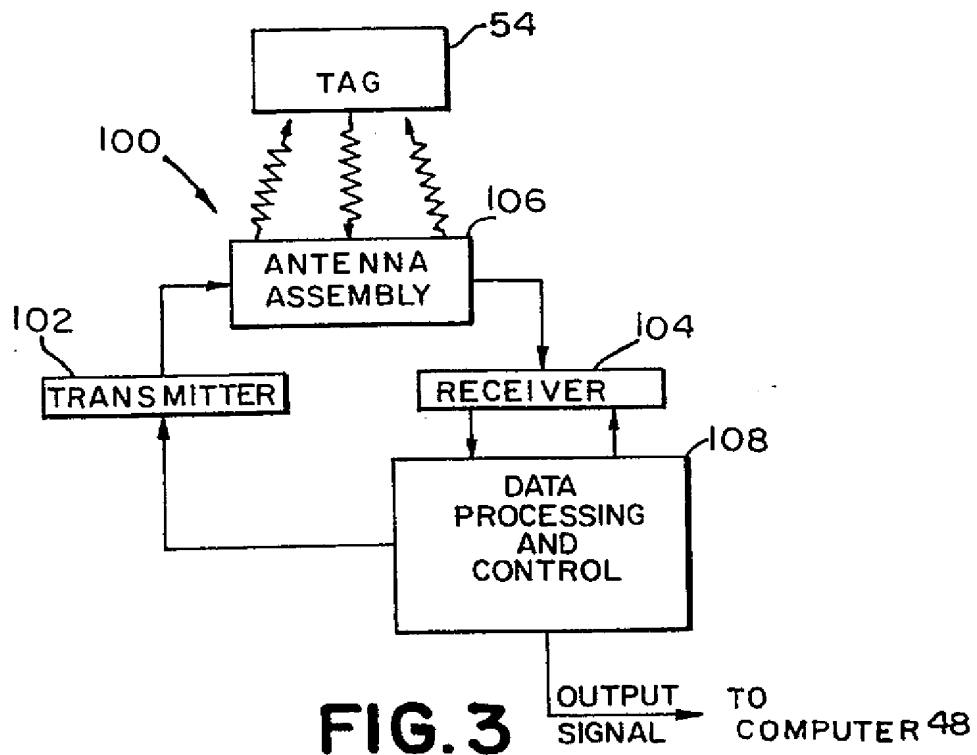


FIG. 3

DATABASE RECORDS

<u>TAG IDENTIFICATION INFORMATION</u>	<u>ITEM IDENTIFICATION INFORMATION</u>	<u>LOCATION</u>	<u>CHECKOUT STATUS</u>	<u>PATRON ID</u>
S/N 001	KA-452-1100 1	MAIN	IN	000000
S/N 002	KA-456-1122 1	MAIN	OUT	123456
S/N 003	KA-456-1122 2	ENGINEERING	OUT	234567
S/N 100	QR-123-340 1	MAIN	IN	000001

FIG. 4

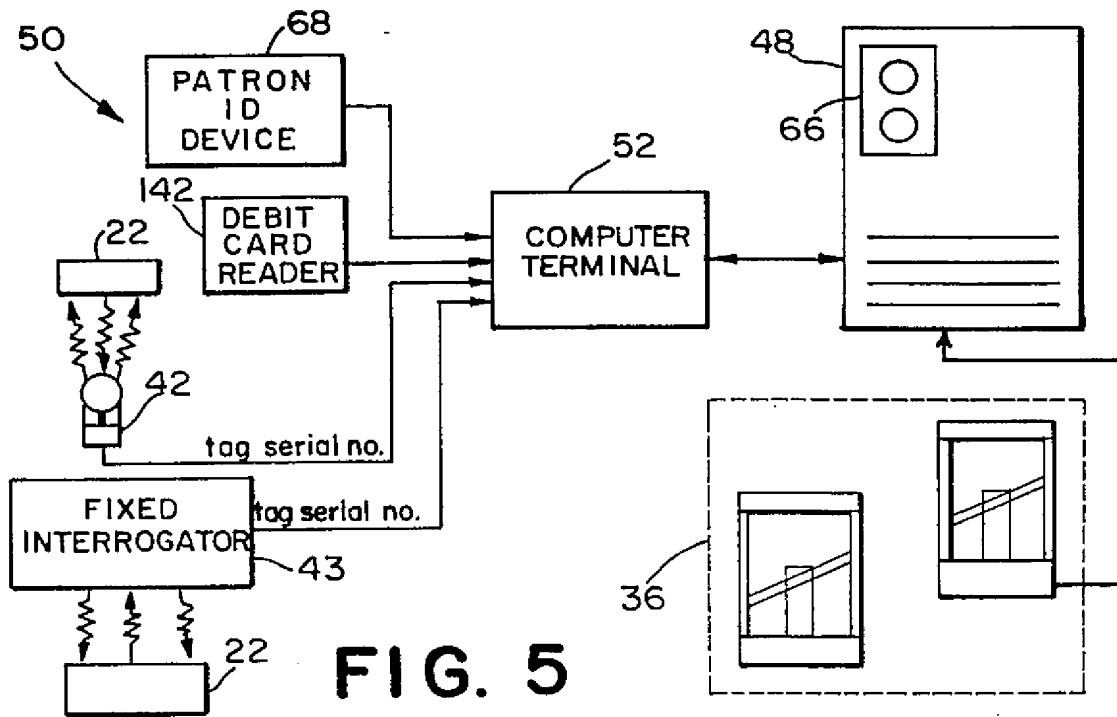


FIG. 5

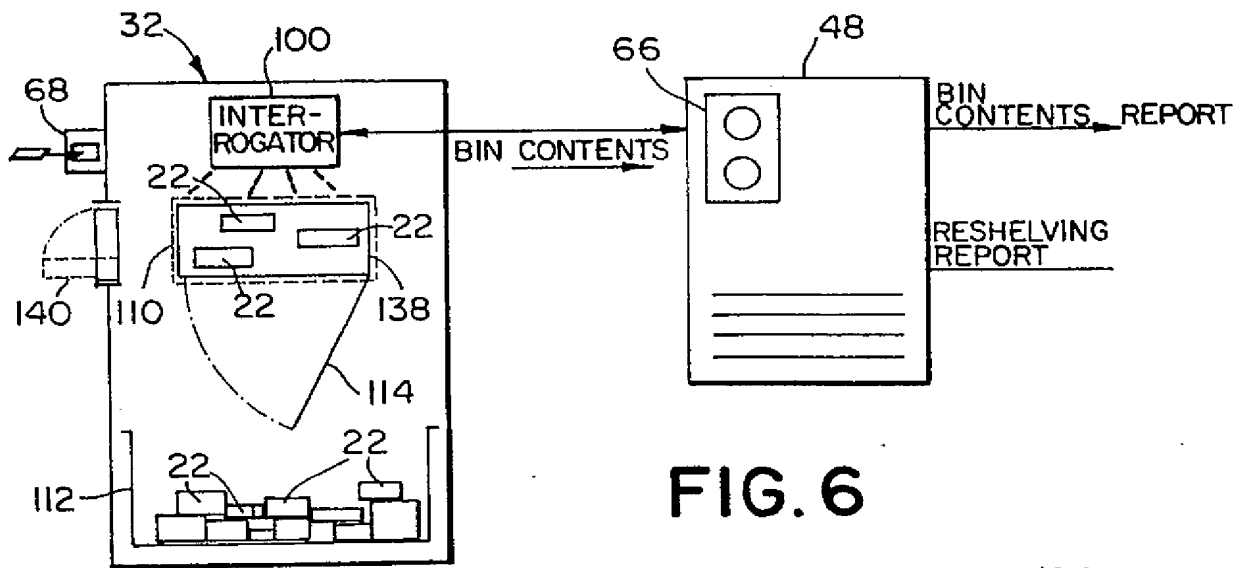


FIG. 6

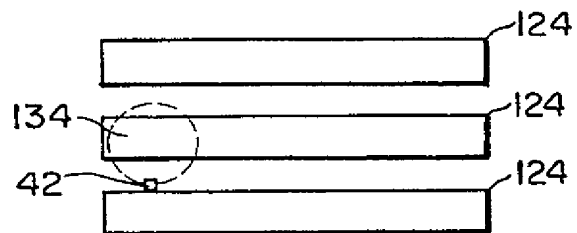


FIG. 10

116

RESHELVING REPORT

<u>GO TO</u> <u>LOCATION</u>	<u>RESHELVE</u> <u>ARTICLE</u>	<u>TITLE</u>
STACK AA-AC	AR-684-Q2	CAPTAINS OF CONSCIOUSNESS
STACK CX-DF	DD-1892-P1	WHEN BAD THINGS HAPPEN TO...
STACK QX-QZ	QY-149-R106	WHAT COLOR IS YOUR...
REFERENCE	RR-505-A4	TIME MAGAZINE
AUDIO-VISUAL	AV-443-U5	GROVER SINGS THE BLUES

FIG. 7



HISTORICAL USAGE REPORT <sup>136</sup>

DATES: 1/1/95 - 1/1/96

CATALOG NUMBER	TITLE	NUMBER OF TIMES PLACED IN INTERIOR <u>BOOK DROP</u>
RS-149-Q2	FUNDAMENTALS OF THE INTERNET	160
BQ-888-R40	MY BODY, MYSELF	100
AR-1006-B4	ENCYCLOPEDIA BRITANNICA	101
BN-456-Q2	FAMOUS SHORT PEOPLE	0

FIG. 8

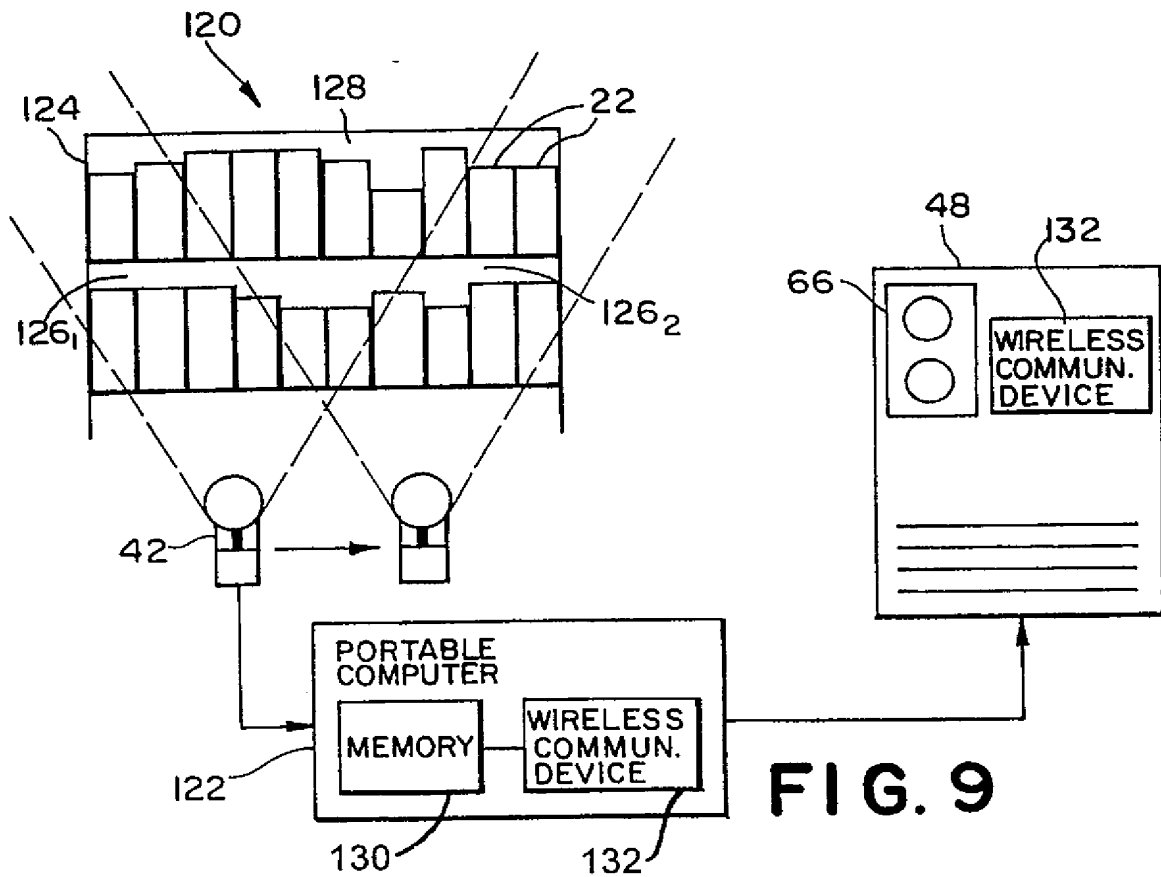


FIG. 9

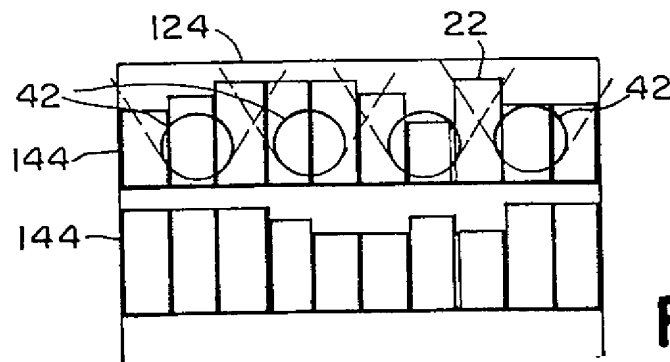


FIG. 11

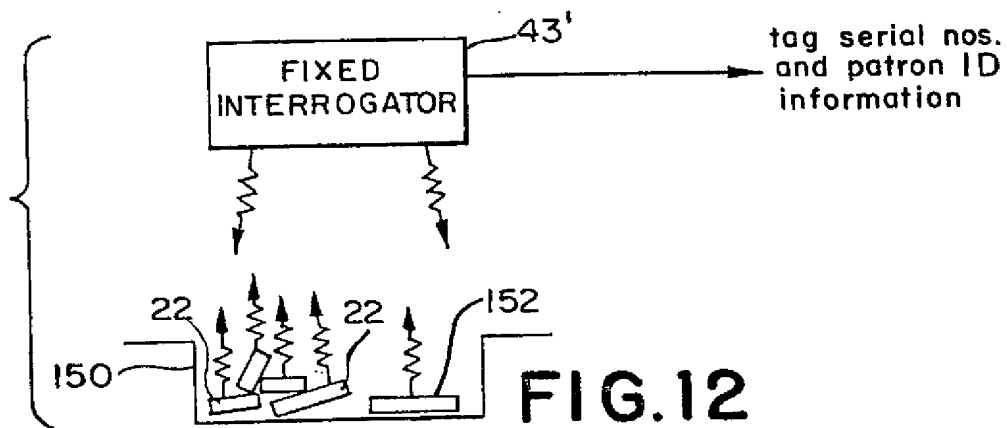


FIG. 12

# INTERNATIONAL SEARCH REPORT

International application No.  
PCT/US98/14637

**A. CLASSIFICATION OF SUBJECT MATTER**

IPC(6) :GO8B 13/14  
US CL :340/572

According to International Patent Classification (IPC) or to both national classification and IPC

**B. FIELDS SEARCHED**

Minimum documentation searched (classification system followed by classification symbols)

U.S. : 340/572, 235/380, 381

Documentation searched other than minimum documentation to the extent that such documents are included in the fields searched

Electronic data base consulted during the international search (name of data base and, where practicable, search terms used)

**C. DOCUMENTS CONSIDERED TO BE RELEVANT**

Category*	Citation of document, with indication, where appropriate, of the relevant passages	Relevant to claim No.
X	US 4,688,026 A (SCRIBNER ET AL) 18 AUGUST 1987 (18.08.87) SEE ENTIRE DOCUMENT.	7
Y		5-6, 8, 10-11, 20 AND 28
X	US 5,288,980 A (PATEL ET AL) 22 FEBRUARY 1994 (22.02.94) SEE ENTIRE DOCUMENT.	1-4, 12, 14, 19, 22-25 AND 28
Y		5-6, 8, 10-11, 13, 15-18, 20-21 AND 26-28
Y	US 4,583,083 A (BOGASKY) 15 APRIL 1986 (15.04.86) SEE ENTIRE DOCUMENT.	13, 18, 21 AND 28

Further documents are listed in the continuation of Box C.  See patent family annex.

<p>* Special categories of cited documents:</p> <p>*A* document defining the general state of the art which is not considered to be of particular relevance</p> <p>*E* earlier document published on or after the international filing date</p> <p>*L* document which may throw doubts on priority claim(s) or which is cited to establish the publication date of another citation or other special reason (as specified)</p> <p>*O* document referring to an oral disclosure, use, exhibition or other means</p> <p>*P* document published prior to the international filing date but later than the priority date claimed</p>	<p>*T* later document published after the international filing date or priority date and not in conflict with the application but cited to understand the principle or theory underlying the invention</p> <p>*X* document of particular relevance; the claimed invention cannot be considered novel or cannot be considered to involve an inventive step when the document is taken alone</p> <p>*Y* document of particular relevance; the claimed invention cannot be considered to involve an inventive step when the document is combined with one or more other such documents, such combination being obvious to a person skilled in the art</p> <p>*&amp;* document member of the same patent family</p>
--	---

Date of the actual completion of the international search  
19 AUGUST 1998

Date of mailing of the international search report  
**16 NOV 1998**

Name and mailing address of the ISA/US  
Commissioner of Patents and Trademarks  
Box PCT  
Washington, D.C. 20231  
Facsimile No. (703) 305-3230

Authorized officer *Patricia Hart*  
JEFFERY A HOPFSASS  
Telephone No. (703) 305-4800

## INTERNATIONAL SEARCH REPORT

International application No.  
PCT/US98/14637

C (Continuation). DOCUMENTS CONSIDERED TO BE RELEVANT		
Category*	Citation of document, with indication, where appropriate, of the relevant passages	Relevant to claim No.
Y	US 5,539,394 (CATO ET AL) 23 JULY 1996 (23.07.96) SEE ENTIRE DOCUMENT.	15-18
Y	US 5,260,690 A (MANN ET AL) 09 NOVEMBER 1993 (09.11.93) SEE ENTIRE DOCUMENT.	26-28
A,P	US 5,708,423 A (GHAFARI) 13 JANUARY 1998 (13.01.98) SEE ENTIRE DOCUMENT.	1-28
A,P	US 5,689,238 A (CANNON, JR. ET AL) 18 NOVEMBER 1997 (18.11.97) SEE ENTIRE DOCUMENT.	1-28
A	US 5,602,538 A (ORTHMANN ET AL) 11 FEBRUARY 1997 (11.02.97) SEE ENTIRE DOCUMENT	1-28
A	US 5,541,585 A (DUHAME ET AL) 30 JULY 1996 (30.07.96) SEE ENTIRE DOCUMENT.	1-28
A	US 4,964,053 A (HUMBLE) 16 OCTOBER 1990 (16.10.90) SEE ENTIRE DOCUMENT.	1-28
A	US 4,862,160 A (EKCHIAN ET AL) 29 AUGUST 1989 (29.08.89) SEE ENTIRE DOCUMENT.	1-28

(51)Int.Cl. <sup>7</sup>	識別記号	F I	キーワード* (参考)
B 6 5 G	1/137	B 6 5 G	A 3 F 0 2 2
G 0 6 F	17/60	G 0 6 K	L 5 B 0 3 5
G 0 6 K	17/00	G 0 6 F	Z 5 B 0 4 9
	19/00	G 0 6 K	Q 5 B 0 5 8

審査請求 未請求 予備審査請求 有 (全 69 頁)

(21)出願番号 特願2000-504563(P2000-504563)  
 (86)(22)出願日 平成10年7月15日(1998.7.15)  
 (85)翻訳文提出日 平成12年1月24日(2000.1.24)  
 (86)国際出願番号 PCT/US98/14637  
 (87)国際公開番号 WO99/05660  
 (87)国際公開日 平成11年2月4日(1999.2.4)  
 (31)優先権主張番号 08/899,438  
 (32)優先日 平成9年7月24日(1997.7.24)  
 (33)優先権主張国 米国 (U S)

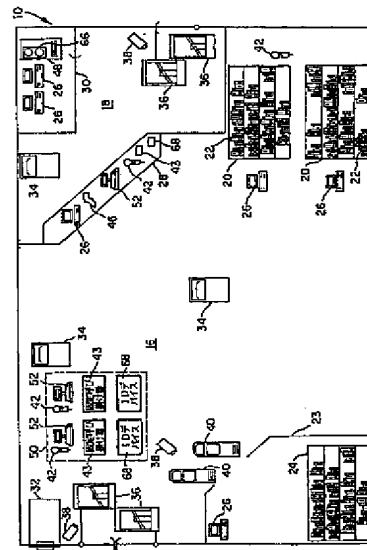
(71)出願人 チエツクポイント システムズ, インコーポレーテッド  
 アメリカ合衆国 ニュージャージー州  
 08086 ソロフエア, ピー. オー. ボックス 188 ウルフ ドライブ 101  
 (72)発明者 バウワーズ, ジョン, エイチ  
 アメリカ合衆国, ニュージャージー州, クラークスバーグ, ピー. オー. ボックス 401,  
 (74)代理人 弁理士 東島 隆治

最終頁に続く

(54) 【発明の名称】 RFIDタグの付いた物品を用いるインベントリー・システム

(57) 【要約】

書籍のような物品(22)のための物品インベントリー管理システムが、各物品(22)に付着されるRFIDタグを使用する。各タグは、この物品(22)を識別するための独自の識別または連続番号を有する。インベントリー・データベースは、タグの付された物品(22)の全てを追跡し、そして各物品(22)についての貸し出し状態情報を保有する。a利用者セルフ・チェックアウト・システムを用いて物品が図書館(10)からチェックアウトされる。チェックアウトされた物品(22)は、RFIDタグを読み取って自動的に物品をチェックインされたものに戻す外部のスマートな図書返却箱(32)に投入されることによって図書館に返却される。外部のスマートな図書返却箱からの物品データは、物品を効果的に棚に並べ直すための棚への並べ直しレポートを生成するのに用いられる。b図書館(10)で用いられるが、チェックアウトはされない物品は、棚への並べ直しのために、図書館(10)内の内部スマートな図書返却箱(34)に返却される。内部のスマートな図書返却箱(34)は、物品の施設内使用に関するデータ



**【特許請求の範囲】**

【請求項1】 蓄積領域に保有される物品と連係して用いられるインベントリー管理システムであって、その物品の各々は、それに付着される無線周波数タグを有し、各タグには、呼び掛け信号を受信し、そして応答信号を返信することによって、その物品の存在を検出するのに用いられるアンテナおよび、そのアンテナに接続され、物品識別情報を蓄積し、かつ前記タグの呼び掛けへの応答信号で、その物品識別情報を出力する集積回路が含まれており、

(a) 前記蓄積領域から移動され、かつその蓄積領域に返却されるべき物品を受け取り、その返却される物品は、その物品が返却される時ゾーンを通過する少なくとも一つの物品返却領域と、

(b) 前記ゾーン内でのタグの存在によって引き起こされる応答信号の形で、前記ゾーン内のじょう乱（ディスタージョウ乱）をモニターする呼び掛け器であって、そのゾーンでタグが検出されるとき、呼び掛け出力信号を出力し、各呼び掛け出力信号には、呼び掛けられたタグの集積回路に蓄積される識別情報が含まれている前記呼び掛け器と、

(c) 前記呼び掛け器出力信号を受信するデータベースであって、チェックアウト状態データが含まれる前記システムによってモニターされる物品についてのインベントリー・データが含まれていて、その受信された呼び掛け器出力信号は、そのチェックアウト状態データを更新するために用いられる前記データベースと、

を具備する前記システム。

【請求項2】 利用者がチェックアウトを利用できる図書館と関連する物品を前記システムが追跡し、かつ前記蓄積領域が図書館の棚を具備する、請求項1に記載のシステム。

【請求項3】 前記物品返却領域が、図書館の図書返却箱である、請求項2に記載のシステム。

【請求項4】 前記システムは、図書館と関連する物品を追跡し、かつ前記少なくとも一つの物品返却領域は、その図書館内であって、前記インベントリー・データには、さらに物品利用データが含まれる請求項1に記載のシステム。

【請求項5】 前記データベースには、前記システムによってモニターされる物品についての蓄積領域位置データが含まれる請求項1に記載のシステム。

【請求項6】 前記データベースと通信を行うコンピューターであって、前記物品返却領域中の物品についての前記蓄積領域位置のレポートを発生する手段が含まれ、そのレポートは、物品を前記蓄積領域のそれぞれ適切な位置への返却を容易にするものを含む前記コンピューターをさらに具備する請求項5に記載のシステム。

【請求項7】 蓄積領域に保有される物品と連係して用いられるインベントリー管理方法であって、それら物品の各々は、それに付着される無線周波数タグを有しており、各タグには、呼び掛け信号を受信し、そして応答信号を返信することによって、その物品の存在を検出するのに用いられるアンテナおよび、そのアンテナに接続され、物品識別情報を蓄積し、かつ前記タグの呼び掛けへの応答信号で、その物品識別情報を出力する集積回路が含まれており、

(a) 前記蓄積領域の一部を移動可能な呼び掛け器でスキャンし、その移動可能な呼び掛け器は、その呼び掛け器から延びる所定のゾーン内にタグの存在によって引き起こされる応答信号の形でのじょう乱を検出し、かつそのゾーンにおいてタグが検出されるとき、呼び掛け器出力信号を出力し、各呼び掛け器出力信号には、呼び掛けられたタグの集積回路に蓄積される識別情報が含まれるステップと、

(b) 前記蓄積領域の隣り合った部分について、かつ前記蓄積領域の残り全ての部分についてステップ(a)を繰り返すステップと、

(c) データベースにおいて前記呼び掛け器出力信号を受信し、そのデータベースには、前記蓄積領域中に保有される物品についてのインベントリー・データが含まれ、その受信された呼び掛け器出力信号は、そのインベントリー・データを更新するのに用いられるステップと

を具備する前記方法。

【請求項8】 前記蓄積領域は、図書館において棚の列を具備し、ステップ(a)は、前記棚の順次連続的に隣り合う部分をスキャンすることによって、各棚をスキャンすることを具備する請求項7に記載の方法。

【請求項9】 さらに、

(d) 前記受信された呼び掛け器出力信号、および前記インベントリ・データを用いて、特定のスキャンされた部分における物品が、そのスキャンされた部分に所属する物品の範囲の外にあるかどうか決定し、かつもしそうであるならば、

(e) その物品が誤った位置にあるという信号を送る  
ステップが含まれる請求項7に記載の方法。

【請求項10】 蓄積領域に保有される物品と連係して用いられる図書館インベントリ管理システムであって、その物品の各々は、それに付着される無線周波数タグを有し、各タグには、呼び掛け信号を受信し、そして応答信号を返信することによって、その物品の存在を検出するのに用いられるアンテナ、およびそのアンテナに接続され、物品識別情報を蓄積し、かつ前記タグの呼び掛けへの前記応答信号で、その物品識別情報を出力する集積回路とが含まれており、

そのシステムは

(a) 前記図書館の物品のリスト、およびそれら物品の各々の貸し出し状態が含まれるインベントリ・データベースと、

(b) 別個の部分部分で前記蓄積領域をスキャンし、前記呼び掛け器から延びている所定のゾーン内でのタグの存在によって引き起こされる応答信号の形でじょう乱を検出し、かつそのゾーンでタグが検出されるとき呼び掛け器出力信号を出力し、各呼び掛け器出力信号には、呼び掛けられるタグの集積回路に蓄積される識別情報が含まれており、前記インベントリ・データベースは、識別情報を受信して、そこに蓄積されている物品の貸し出し状態を更新するためにその識別情報を用いる移動可能な呼び掛け器と

を具備する前記システム。

【請求項11】 前記タグが、物理的に非活性化することができないタグである請求項10に記載のシステム。

【請求項12】 利用者がチェックアウトをするのに利用できる物品を有する図書館のためのセルフ・サービスのチェックアウト・システムであって、それら物品の各々は、それに付着される無線周波数タグを有し、各タグには、呼び掛



け信号を受信し、そして応答信号を返信することによって、その物品の存在を検出するのに用いられるアンテナ、およびそのアンテナに接続され、物品識別情報を蓄積し、かつ呼び掛け器による前記タグの呼び掛けへの応答信号で、その物品識別情報を出力する集積回路が含まれ、前記システムはまた、各々に無線周波数タグが含まれる複数の利用者識別カードを有しており、

(a) 前記図書館のチェックアウト領域に位置し、利用者が借りたいと思う少なくとも一つの物品に呼び掛け、かつ実質的に同時に前記システムに利用者を識別させる利用者識別（ID）カードに呼び掛ける呼び掛け器であって、前記呼び掛け器は、借りられるべき物品の各々についての蓄積された物品識別情報、および前記IDカードからの利用者識別情報を収容する応答信号を受信し、前記物品または利用者識別カードの向きに関わらず、前記応答信号を受信する前記呼び掛け器と、

(b) 前記図書館における物品のリスト、およびそれら物品の各々の貸し出し状態が含まれるインベントリ・データベースであって、前記利用者識別情報および前記借りられるべき物品の各々についての物品識別情報を受け取る前記データベースと、

(c) 前記借りられるべき物品の貸し出し状態を更新するために前記データベースと通信を行うプロセッサと、

を具備する前記システム。

【請求項13】 さらに、

(d) 前記チェックアウト領域の画像をとらえ、そしてそのとらえた画像のビデオ信号を出力するビデオ・カメラと、

(e) 前記ビデオ信号をビデオ蓄積媒体に蓄積するビデオ記録器と、

を具備する請求項12に記載のシステム。

【請求項14】 前記タグが、物理的に非活性化することができないタグである請求項12に記載のシステム。

【請求項15】 利用者がチェックアウトをするのに利用できる物品を有する図書館のためのセルフ・サービスのチェックアウト・システムであって、それら物品の各々が、それに付着される無線周波数タグを有しており、各タグには、

呼び掛け信号を受信し、そして応答信号を返信することによって、その物品の存在を検出するのに用いられるアンテナ、およびそのアンテナに接続され、物品識別情報を蓄積し、かつ呼び掛け器による前記タグの呼び掛けへの前記応答信号で、物品識別情報を出力する集積回路が含まれ、

複数の物品を保持するトレイと、  
利用者が借りたいと思う、前記トレイ上に置かれる前記複数の物品に実質的に同時に呼び掛ける呼び掛け器であって、その呼び掛け器は、前記借りられるべき複数の物品の各々について蓄積される物品識別情報を収容する応答信号を受信し、前記物品の方向に関わらず、前記応答信号を受信する前記呼び掛け器と、

前記図書館における前記物品およびその物品の各々の貸し出し状態が含まれるインベントリ・データベースであって、前記借りられるべき物品について物品識別情報を受信する前記データベースと、

前記借りられるべき物品の貸し出し状態を更新するために前記データベースと通信を行うプロセッサと、

を具備する前記システム。

【請求項16】 無線周波数識別タグを具備する利用者識別（ID）カードであって、さらに、

その利用者IDカードには、その上に電子的に蓄積される利用者識別情報が含まれ、前記トレイ上に置かれ、前記借りられるべき物品と実質的に同時に呼び掛けられる前記利用者IDカードを具備する、請求項15に記載の前記システム。

【請求項17】 前記データベースには、前記借りられる物品に対応する利用者IDを蓄積するためのフィールドが含まれる請求項16に記載のシステム。

【請求項18】 さらに、

前記チェックアウト領域の画像をとらえ、そしてそのとらえた画像のビデオ信号を出力するビデオ・カメラと、

前記ビデオ信号をビデオ蓄積媒体上に蓄積するビデオ記録器と  
を具備する請求項15に記載のシステム。

【請求項19】 蓄積領域に保有される物品と関係して用いられる図書館インベントリ管理システムであって、それら物品の各々は、それに付着される無

線周波数タグを有し、各タグには、呼び掛け信号を受信し、そして応答信号を返信することによって、その物品の存在を検出するのに用いられるアンテナ、およびそのアンテナに接続され、物品識別情報を蓄積し、かつ呼び掛け器による前記タグの呼び掛けへの前記応答信号で、前記物品識別情報を出力する集積回路とが含まれており、

前記図書館における前記物品のリストおよびそれら物品の各々の貸し出し状態が含まれるインベントリー・データベースと、

前記システムに利用者を識別させる利用者識別デバイスと、

物品チェックアウト領域に位置する物品チェックアウト・システムであって、前記利用者が前記蓄積領域から取り去りたいと思う物品に呼び掛ける第1の呼び掛け器であって、移動されるべき前記物品についての蓄積された物品識別情報を収容する応答信号を受信する前記第1の呼び掛け器が含まれる前記チェックアウト・システムと、

前記第1の呼び掛け器および前記データベースと通信を行うプロセッサであって、前記第1の呼び掛け器から、前記利用者識別情報および前記移動されるべき物品についての前記物品識別情報を受信し、かつその移動されるべき物品の貸し出し状態を備える前記インベントリー・データベースを更新する前記プロセッサと、

前記蓄積領域から移動されていてかつその蓄積領域に返却されるべき物品を受け取り、各返却される物品は、その物品が返却されるときにチェックイン・ゾーンを通過する、少なくとも一つの物品返却領域が含まれる物品チェックイン・システムと、

前記プロセッサと通信を行う第2の呼び掛け器であって、前記ゾーン内でタグの存在によって引き起こされる応答信号の形で、前記チェックイン・ゾーンのじょう乱をモニターし、かつタグがそのゾーンで検出されるとき呼び掛け出力信号を出力し、各呼び掛け出力信号には、前記返却されつつある物品について呼び掛けられたタグの集積回路中に蓄積される識別情報が含まれており、前記インベントリー・データベースは、前記呼び掛け出力信号を受信し、そして返却されつつある物品の前記チェックアウト状態データをそれで更新する前記第2の呼び掛

け器と、

を具備する前記システム。

【請求項20】 さらに、

別個の部分部分で前記蓄積領域をスキャンする移動可能な呼び掛け器であって、その移動可能な呼び掛け器から延びる所定のゾーン内でのタグの存在によって引き起こされる応答信号の形でじょう乱を検出し、かつ、そのゾーンでタグが検出されるとき、呼び掛け器出力信号を出力し、各呼び掛け器出力信号には、呼び掛けられたタグの集積回路中に蓄積される識別情報が含まれ、前記データベースは、その識別情報を受信し、そしてその情報でその中に蓄積される物品の貸し出し状態を更新する前記移動可能な呼び掛け器、

を具備する請求項19に記載のシステム。

【請求項21】 さらに、

前記チェックアウト領域の画像をとらえ、そしてそのとらえた画像のビデオ信号を出力するビデオ・カメラと、

前記ビデオ信号をビデオ蓄積媒体上に蓄積するビデオ記録器と

を具備する請求項19に記載のシステム。

【請求項22】 さらに、

前記蓄積領域からの出口をモニターする出口呼び掛け器であって、その出口呼び掛け器は、その出口を通過し、そしてそれによって前記蓄積領域から移動される物品に呼び掛け、その物品と関連するタグからの応答信号を受信し、その応答信号は、前記出口を通過する物品についての蓄積された物品識別情報を収容している前記出口呼び掛け器、

を具備する請求項19に記載のシステム。

【請求項23】 さらに、前記出口呼び掛け器に結合される出口プロセッサを具備しており、そのプロセッサは、前記応答信号の識別情報が含まれる前記出口呼び掛け器から出力信号を受信し、そのプロセッサは、その受信された識別情報を、前記データベース中に蓄積される情報と比較して、前記物品がチェックアウトされるときに、その中に記録されているかどうかを確認する請求項22に記載のシステム。

【請求項24】 前記出口を通過する物品が、チェックアウトされるときに前記データベースに記録されていないならば、前記出口呼び掛け器がアラームを作動させる請求項23に記載のシステム。

【請求項25】 前記タグが、物理的に非活性化することができないタグである請求項19に記載のシステム。

【請求項26】 前記図書館には定期刊行物ルームが含まれていて、前記システムはさらに、その定期刊行物ルームの出口に位置し、そこからタグの付いた物品が移動されることを検出するゾーン呼び掛け器を具備する請求項19に記載のシステム。

【請求項27】 前記ゾーン呼び掛け器は、前記定期刊行物ルームからの物品の取り去りの検出に応答して、アラームを作動させる請求項26に記載のシステム。

【請求項28】 図書館に保有される物品と関係して用いられる図書館インベントリ管理システムであって、それら物品の各々は、それに付着される無線周波数タグを有し、各タグには、呼び掛け信号を受信し、そして応答信号を返信することによって、その物品の存在を検出するのに用いられるアンテナ、およびそのアンテナに接続され、物品識別情報を蓄積し、かつ呼び掛け器による前記タグの呼び掛けへの前記応答信号で、前記物品識別情報を出力する集積回路とが含まれていて、

前記図書館における物品のリスト、およびその各物品の貸し出し状態が含まれるインベントリ・データベースと、

前記システムに利用者を識別させる利用者識別デバイスと、

前記図書館の物品チェックアウト領域に位置する物品チェックアウト・システムであって、前記利用者が前記図書館から取り去りたいと思う物品に呼び掛ける第1の呼び掛け器であって、その移動されるべき物品についての蓄積された物品識別情報を収容する応答信号を受信する前記第1の呼び掛け器が含まれる前記チェックアウト・システムと、

前記第1の呼び掛け器および前記データベースと通信を行うプロセッサであって、前記利用者識別情報、および前記第1の呼び掛け器からの前記移動される

べき物品についての物品識別情報とを受け取り、かつその移動されるべき物品の貸し出し状態を備えた前記インベントリー・データベースを更新する前記プロセッサと、

前記チェックアウト領域の画像をとらえ、そしてそのとらえた画像のビデオ信号を出力するビデオ・カメラと、

前記ビデオ信号をビデオ蓄積媒体上に蓄積するビデオ記録器と、

前記図書館から移動されていた物品を受け取り、各返却される物品が、その物品が返却される時チェックイン・ゾーンを通過する、少なくとも一つの物品返却領域が含まれる物品チェックイン・システムと、

前記インベントリー・データベースと通信を行う第2の呼び掛け器であって、前記ゾーン内でのタグの存在によって引き起こされる応答信号の形で、前記チェックイン・ゾーンのじょう乱をモニターし、かつそのゾーンでタグが検出される時呼び掛け器出力信号を出力し、各呼び掛け器出力信号には、返却されつつある物品について呼び掛けられたタグの集積回路中に蓄積される識別情報が含まれており、前記インベントリー・データベースは、前記呼び掛け器出力信号を受信し、そしてその呼び掛け器出力信号を用いて、その返却されつつある物品のチェックアウト状態を更新する前記第2の呼び掛け器と、

前記図書館の別個の部分部分をスキャニングする移動可能な呼び掛け器であって、その移動可能な呼び掛け器から延びる所定のゾーン内でのタグの存在によって引き起こされる応答信号の形でじょう乱を検出し、かつそのゾーンでタグが検出される時、呼び掛け器出力信号を出力し、各呼び掛け器出力信号には、呼び掛けられるタグの集積回路中に蓄積される識別情報が含まれており、前記データベースは、その識別情報を受信し、そしてその情報でその中に蓄積される物品の貸し出し状態を更新する前記移動可能な呼び掛け器と、

前記図書館からの出口をモニターする出口呼び掛け器であって、その出口呼び掛け器は、その出口を通過しそしてそれによって前記図書館から移動される物品に呼び掛け、その物品と関連するタグからの応答信号を受信し、その応答信号が前記出口を通過する物品についての蓄積される物品識別情報を収容している前記出口呼び掛け器と、

前記出口呼び掛け器に結合される出口プロセッサであって、その出口プロセッサは、前記応答信号の識別情報が含まれる前記出口呼び掛け器からの出力信号を受信し、その受信された識別情報を前記データベースに蓄積された情報と比較して、その物品がチェックアウトされるときにその中に記録されているかどうかを確認し、もしその出口を通過する物品が、チェックアウトされるときに前記データベースに記録されていないならば、前記出口呼び掛け器がアラームを作動させる前記出口プロセッサと、

前記図書館の所定領域の出口に位置するゾーン呼び掛け器であって、そのゾーン呼び掛け器は、その所定領域からのタグの付いた物品の取り去りを検出し、その所定領域からの物品の取り去りの検出に応答して、アラームを作動させる前記ゾーン呼び掛け器と

を具備する前記システム。

## 【発明の詳細な説明】

【0001】

## 【発明の背景】

本発明は一般には、図書館のインベントリー（在庫目録）および貸し出し管理（サーキュレーションコントロール）システムに関し、詳しくは、書籍などに付けるRFID（無線周波情報装置）タグ（付札）を用いるようなシステムに関する。

図書館は、書籍、定期刊行物、オーディオ・ビジュアル製品などの大量のインベントリーを保有し、および管理すると云う膨大な仕事に直面している。図書館のコレクション（collection）における物品の、チェックイン（check in：手続きをして返却をすること）／チェックアウト（check out：手続きをして貸し出すこと）、インベントリー、および窃盗管理（theft control）を容易にするために、大抵の図書館は、物品に、バー・コード（bar codes）および／または感度を有する磁気ストリップを付ける。バー・コードによって、スキャナーを用いて物品を迅速に識別することが可能となる。

【0002】

磁気ストリップは、窃盗管理のために図書館の出口の磁気検出デバイスと関連して用いられる。磁気ストリップは通常、感度を与えられている。図書館利用者（パトロン）が、物品をチェックアウトする（手続きをして借り出す）とき、磁気ストリップは感度を取り除かれる。利用者が物品を図書館に返却するとき、磁気ストリップは再び感度を与えられる。磁気検出デバイスは、利用者が、感度を与えられた磁気ストリップの付いた物品をもって管理された出口を通過しようとするとき、アラームを始動させる。

【0003】

## 【発明が解決しようとする課題】

磁気ストリップをベースとしたシステムには、数多くの不利益がある。磁気ストリップの感度を取り除いたり再度感度を与えたりするのに、特別な装置を用いなければならない。典型的には、図書館の職員が、その装置を操作して、チェッ



クインおよびチェックアウトが正確に行われたことを確認しなければならない。そのようなシステムの例が、米国特許第4, 141, 078号（ブリッジズ・ジュニア他の発明）に記述されている。タグの付けられた物品に頼り、かつ利用者によって単独に操作されるよう設計されている別の図書館チェックイン／チェックアウト・システムが、米国特許第5, 228, 980号（パテル他の発明）に記述されている。図書館における使用に適した、さらに別の汎用物品インベントリー管理システムが、米国特許第4, 881, 061号（チャンバーズの発明）に開示されている。

#### 【0004】

図書館の物品を取り扱う現行の諸手順は、時間を費やしかつ多くのエラーを引き起こすものである。物品を棚に並べ直すことは、特にエラーを起こしがちで、時間を費やす業務である。多くの物品が図書館において間違った位置に返却され、そしてその結果、完全インベントリーチェックにおいて発見されるまで紛失されていると推定される。さらには、図書館のコレクションのインベントリーを取るのには、現在のところ非常に高額で時間を費やす業務であって大抵の図書館では、すべきであるほど頻繁には完全インベントリーチェックを行っていない。

#### 【0005】

図書館は、どの物品が利用者にとって最も興味のあるものであるか決定するために、チェックアウト・データをしばしば見直す。この情報は、新しい購入について決断するため、または現存する資産をよりよく割り振るために用いられるであろう。しかしながら図書館は、物品をチェックアウトしないが、図書館に在る間に物品を使用する利用者による、コレクションの利用に関しての大量の情報はとらえていない。実際、いわゆる「内部貸し出し」は、多くの図書館の貸し出し全体の3分の2から4分の3を占めている。このように、チェックアウト・データは、どの物品がある利用者に対して興味のあるものであるかを正確に測定しそこねている。

#### 【0006】

図書館を運営する上で、最も大きな費用は、職員の人件費である。図書館は、絶えず、より少ない従業員で必要な機能を果たす方法を調査している。

したがって、図書館従業員が物品を取り扱うのに費やされる時間および努力をさらに低減することを可能とし、かつ図書館管理者にコレクションがどのように使われているかについての、よりよい情報を提供するシステムの必要性がなおもある。本発明は、これらの必要性を満たすものである。

#### 【0007】

##### 【発明の概要と課題を解決するための手段】

本発明は、蓄積領域に保有される物品と連係して用いられるインベントリー管理システムを提供する。その物品の各々は、それに付着される無線周波数タグを有する。各タグには、呼び掛け信号を受信し、そして応答信号を返信することによって、その物品の存在を検出するのに用いられるアンテナが含まれている。そのタグにはまた、そのアンテナに接続され、物品識別情報を蓄積し、かつ前記タグの呼び掛けへの応答信号で、その物品識別情報を出力する集積回路が含まれている。

#### 【0008】

そのシステムは、前記蓄積領域から持ち出されていて、かつその蓄積領域に返却されるべき物品を受け取り、その返却される物品は、その物品が返却されるときゾーンを通過する少なくとも一つの物品返却領域と；前記ゾーン内でのタグの存在によって引き起こされる応答信号の形で、前記ゾーンのじょう乱をモニターする呼び掛け器であって、そのゾーンでタグが検出されるとき、呼び掛け出力信号を出力し、各呼び掛け出力信号には、呼び掛けられたタグの集積回路に蓄積される識別情報が含まれている前記呼び掛け器と；および、前記呼び掛け器出力信号を受信するデータベースであって、チェックアウト状態データが含まれる前記システムによってモニターされる物品についてのインベントリー・データが含まれていて、その受信された呼び掛け器出力信号はそのチェックアウト状態データを更新するために用いられるところの前記データベースと、を具備している。

#### 【0009】

別の実施例において、本発明は、蓄積領域に保有される物品と連係して用いられるインベントリー管理方法を具備する。それら物品の各々は、それに付着される無線周波数タグを有しており、各タグには、呼び掛け信号を受信し、そして応

答信号を返信することによって、その物品の存在を検出するのに用いられるアンテナが含まれている。各タグにはまた、そのアンテナに接続され、物品識別情報を蓄積し、かつ前記タグの呼び掛けへの応答信号で、その物品識別情報を出力する集積回路を有している。そしてその方法は、

(a) 前記蓄積領域の一部を移動可能な呼び掛け器でスキャンし、その移動可能な呼び掛け器は、その呼び掛け器から延びる所定のゾーン内にタグの存在によって引き起こされる応答信号の形でのじょう乱を検出し、かつそのゾーンにおいてタグが検出されるとき、呼び掛け器出力信号を出力し、各呼び掛け器出力信号には、呼び掛けられたタグの集積回路に蓄積される識別情報が含まれるステップと、

(b) 前記蓄積領域の隣り合った部分について、かつ前記蓄積領域の残り全ての部分についてステップ(a)を繰り返すステップと、

(c) データベースにおいて前記呼び掛け器出力信号を受信し、そのデータベースには、前記蓄積領域中に保有される物品についてのインベントリー・データが含まれ、その受信された呼び掛け器出力信号は、そのインベントリー・データを更新するのに用いられるステップと、

を具備する。

#### 【0010】

本発明はさらに、蓄積領域に保有される物品に関して用いられる図書館インベントリー管理システムを具備する。その物品の各々は、それに付着される無線周波数タグを有する。各タグには、呼び掛け信号を受信し、そして応答信号を返信することによって、その物品の存在を検出するのに用いられるアンテナ、およびそのアンテナに接続され、物品識別情報を蓄積し、かつ前記タグの呼び掛けへの前記応答信号でその物品識別情報を出力する集積回路とが含まれている。そのシステムは、インベントリー・データベースおよび移動可能な呼び掛け器を具備している。そのデータベースには、前記図書館の物品のリスト、およびそれら物品の各々の貸し出し状態が含まれている。前記移動可能な呼び掛け器は、別個の部分ごとに前記蓄積領域をスキャンし、その呼び掛け器から延びている所定のゾーン内でのタグの存在によって引き起こされる応答信号の形でじょう乱を検出

する。

#### 【0011】

その呼び掛け器はまた、そのゾーンでタグが検出される時呼び掛け器出力信号を出力する。各呼び掛け器出力信号には、呼び掛けられるタグの集積回路に蓄積される識別情報が含まれている。前記インベントリー・データベースは、その識別情報を受信して、そこに蓄積されている物品の貸し出し状態を更新するためにその識別情報を用いる。

#### 【0012】

さらに別の実施例における本発明は、利用者がチェックアウトをするのに利用できる物品を有する図書館のためのセルフ・サービスのチェックアウト・システムである。それら物品の各々は、それに付着される無線周波数タグを有していて、かつ各タグには、呼び掛け信号を受信し、そして応答信号を返信することによって、その物品の存在を検出するのに用いられるアンテナ、およびそのアンテナに接続され、物品識別情報を蓄積し、かつ呼び掛け器による前記タグの呼び掛けへの応答信号で、その物品識別情報を出力する集積回路が含まれている。

#### 【0013】

前記システムはまた、各々に無線周波数タグが含まれる複数の利用者識別カードを有している。前記システムは、呼び掛け器、インベントリー・データベース、およびプロセッサを具備している。その呼び掛け器は、前記図書館のチェックアウト領域に位置し、利用者が借りたいと思う少なくとも一つの物品に呼び掛け、かつ実質的に同時に前記システムに利用者を識別させる利用者識別（ID）カードに呼び掛ける。その呼び掛け器は、借りられるべき物品の各々についての蓄積された物品識別情報、および前記IDカードからの利用者識別情報を収容する応答信号を受信する。その呼び掛け器は、前記物品または利用者識別カードの向きに関わらず、前記応答信号を受信する。前記インベントリー・データベースには、前記図書館における物品のリスト、およびそれら物品の各々の貸し出し状態が含まれている。そのデータベースは、前記利用者識別情報および前記借りられるべき物品の各々についての物品識別情報を受け取る。前記プロセッサは、前記データベースと通信を行い、そして前記借りられるべき物品の貸し出し状態

を更新する。

【0014】

別の実施例における本発明は、図書館のためのセルフ・サービスのチェックアウト・システムである。その図書館は、利用者がチェックアウトをするのに利用できる物品を有する。それら物品の各々は、それに付着される無線周波数タグを有しており、各タグには、呼び掛け信号を受信し、そして応答信号を返信することによって、その物品の存在を検出するのに用いられるアンテナ、およびそのアンテナに接続され、物品識別情報を蓄積し、かつ呼び掛け器による前記タグの呼び掛けへの前記応答信号で、物品識別情報を出力する集積回路が含まれている。

【0015】

そのシステムは、複数の物品を保持するトレイと；利用者が借りたいと思う、前記トレイ上に置かれる前記複数の物品に実質的に同時に呼び掛ける呼び掛け器であって、その呼び掛け器は、前記借りられるべき複数の物品の各々について蓄積される物品識別情報を収容する応答信号を受信し、前記物品の向きに関わらず、前記応答信号を受信する前記呼び掛け器と；前記図書館における前記物品およびその物品の各々の貸し出し状態が含まれるインベントリー・データベースであって、前記借りられるべき物品について物品識別情報を受信する前記データベースと；および、前記借りられるべき物品の貸し出し状態を更新するために前記データベースと通信を行うプロセッサとを具備する。

【0016】

別の実施例における本発明は、蓄積領域に保有される物品と連係して用いられる図書館インベントリー管理システムである。それら物品の各々は、それに付着される無線周波数タグを有しており、呼び掛け信号を受信し、そして応答信号を返信することによって、その物品の存在を検出するのに用いられるアンテナ、およびそのアンテナに接続され、物品識別情報を蓄積し、かつ呼び掛け器による前記タグの呼び掛けへの前記応答信号で、前記物品識別情報を出力する集積回路とが含まれている。

【0017】

そのシステムは、前記図書館における前記物品のリストおよびそれら物品の各

々の貸し出し状態が含まれるインベントリー・データベースと；前記システムに利用者を識別させる利用者識別デバイスと；物品チェックアウト領域に位置する物品チェックアウト・システムであって、前記利用者が前記蓄積領域から取り去りたいと思う物品に呼び掛ける第1の呼び掛け器であって、移動されるべき前記物品についての蓄積された物品識別情報を収容する応答信号を受信する前記第1の呼び掛け器が含まれる前記チェックアウト・システムと；

【0018】

前記第1の呼び掛け器および前記データベースと通信を行うプロセッサであって、前記第1の呼び掛け器から、前記利用者識別情報および前記移動されるべき物品についての前記物品識別情報を受信し、かつその移動されるべき物品の貸し出し状態を備える前記インベントリー・データベースを更新する前記プロセッサと；前記蓄積領域から移動されていてかつその蓄積領域に返却されるべき物品を受け取り、各返却される物品は、その物品が返却される時にチェックイン・ゾーンを通過する、少なくとも一つの物品返却領域が含まれる物品チェックイン・システムと；

【0019】

前記プロセッサと通信を行う第2の呼び掛け器であって、前記ゾーン内でタグの存在によって引き起こされる応答信号の形で、前記チェックイン・ゾーンのじょう乱をモニターし、かつタグがそのゾーンで検出されるとき呼び掛け出力信号を出力し、各呼び掛け出力信号には、前記返却されつつある物品について呼び掛けられたタグの集積回路中に蓄積される識別情報が含まれており、前記インベントリー・データベースは、前記呼び掛け出力信号を受信し、そして返却されつつある物品の前記チェックアウト状態データをそれで更新する前記第2の呼び掛け器とを具備する。

【0020】

本発明のさらなる実施例は、図書館に保有される物品と関連して用いられる図書館インベントリー管理システムである。それら物品の各々は、それに付着される無線周波数タグを有し、各タグには、呼び掛け信号を受信し、そして応答信号を返信することによって、その物品の存在を検出するのに用いられるアンテナ、

およびそのアンテナに接続され、物品識別情報を蓄積し、かつ呼び掛け器による前記タグの呼び掛けへの前記応答信号で、前記物品識別情報を出力する集積回路とが含まれている。

そのシステムは、

【0021】

前記図書館における物品のリスト、およびその各物品の貸し出し状態が含まれるインベントリー・データベースと、

前記システムに利用者を識別させる利用者識別デバイスと、

前記図書館の物品チェックアウト領域に位置する物品チェックアウト・システムであって、前記利用者が前記図書館から取り去りたいと思う物品に呼び掛ける第1の呼び掛け器であって、その移動されるべき物品についての蓄積された物品識別情報を収容する応答信号を受信する前記第1の呼び掛け器が含まれる前記チェックアウト・システムと、

【0022】

前記第1の呼び掛け器および前記データベースと通信を行うプロセッサであって、前記利用者識別情報、および前記第1の呼び掛け器からの前記移動されるべき物品についての物品識別情報とを受け取り、かつその移動されるべき物品の貸し出し状態を備えた前記インベントリー・データベースを更新する前記プロセッサと、

前記チェックアウト領域の画像をとらえ、そしてそのとらえた画像のビデオ信号を出力するビデオ・カメラと、

前記ビデオ信号をビデオ蓄積媒体上に蓄積するビデオ記録器と、

【0023】

前記図書館から移動されていた物品を受け取り、各返却される物品が、その物品が返却される時チェックイン・ゾーンを通過する、少なくとも一つの物品返却領域が含まれる物品チェックイン・システムと、

前記インベントリー・データベースと通信を行う第2の呼び掛け器であって、前記ゾーン内でのタグの存在によって引き起こされる応答信号の形で、前記チェックイン・ゾーンのじょう乱をモニターし、かつそのゾーンでタグが検出される

とき呼び掛け器出力信号を出力し、各呼び掛け器出力信号には、返却されつつある物品について呼び掛けられたタグの集積回路中に蓄積される識別情報が含まれており、前記インベントリー・データベースは、前記呼び掛け器出力信号を受信し、そしてその呼び掛け器出力信号を用いて、その返却されつつある物品のチェックアウト状態を更新する前記第2の呼び掛け器と、

【0024】

前記図書館の別個の部分部分をスキャンする移動可能な呼び掛け器であって、その移動可能な呼び掛け器から延びる所定のゾーン内でのタグの存在によって引き起こされる応答信号の形でじょう乱を検出し、かつそのゾーンでタグが検出されるとき、呼び掛け器出力信号を出力し、各呼び掛け器出力信号には、呼び掛けられるタグの集積回路中に蓄積される識別情報が含まれており、前記データベースは、その識別情報を受信し、そしてその情報でその中に蓄積される物品の貸し出し状態を更新する前記移動可能な呼び掛け器と、

【0025】

前記図書館からの出口をモニターする出口呼び掛け器であって、その出口呼び掛け器は、その出口を通過しそしてそれによって前記図書館から移動される物品に呼び掛け、その物品と関連するタグからの応答信号を受信し、その応答信号が前記出口を通過する物品についての蓄積される物品識別情報を収容している前記出口呼び掛け器と、

前記出口呼び掛け器に結合される出口プロセッサであって、その出口プロセッサは、前記応答信号の識別情報が含まれる前記出口呼び掛け器からの出力信号を受信し、その受信された識別情報を前記データベースに蓄積された情報と比較して、その物品がチェックアウトされるときにその中に記録されているかどうかを確認し、もしその出口を通過する物品が、チェックアウトされるときに前記データベースに記録されていないならば、前記出口呼び掛け器がアラームを作動させる前記出口プロセッサと、

前記図書館の所定領域の出口に位置するゾーン呼び掛け器であって、そのゾーン呼び掛け器は、その所定領域からのタグの付いた物品の取り去りを検出し、その所定領域からの物品の取り去りの検出に応答して、アラームを作動させる前記



ゾーン呼び掛け器と

を具備する。

【0026】

【発明の実施の形態と発明の効果】

前記概要ならびに本発明の好ましい実施例の以下の詳細な記述は、添付した図面と連係して読むときより良く理解されるであろう。本発明を例示する目的のために、現在のところ好ましい実施例が図面に示されている。しかしながら、本発明は、示されている通りの正確な構造 (arrangements) および方法 (instrumentalities) に限定されるものではないということが理解されるべきである。

ここでは、単に便宜上ある専門用語が用いられるが、本発明において限定として取られるものではない。図面において、同じ参照番号は、いくつかの図面を通して一貫して同じ素子を指定するのに使用される。

【0027】

図1は、本発明の新規な特徴を説明するのに用いた図書館10の形での蓄積領域の概略図である。本発明は、図書館の環境において説明される一方で、本発明の範囲には、物品が蓄積領域に保有され、また定期的に（永久的に）移動され、またはビデオ・ストア、レンタル・ストアなどのような利用者によって限定された期間借りられる他の環境が含まれる。蓄積領域はまた、商業／工業環境と関連していても良く、また例えば、工具置き場 (tool crib)、メンテナンス倉庫 (maintenance depot) その他であっても良い。

ここで定義される呼び掛け器は、RFIDタグにエネルギーを結合させ、そのタグに電源を入れてそのタグからデータを受け取るのに用いられるデバイスである。本発明は、異なる形の呼び掛け器を用いており、スキャナー (scanners)、「スマートな（コンピューター内蔵の）」および「ダムな（単独ではデータ処理能力のない）」ペDESTALズ (pedestals) が含まれる。

【0028】

図1を参照すると、図書館10は、利用者によって使用される公共スペース領域16と、従業員スペース領域18とに分けられる。公共スペース領域16には

、書籍、定期刊行物、オーディオテープ、CD、ビデオテープ、ウォール・アート (wall art)、シート・ミュージック (sheet music) など22のような物品を保持する複数の棚または書庫20の形での蓄積領域、付加的な棚または書庫 (stacks) 24を有する定期刊行物ルーム (periodical room) 23、および図書館所蔵の複数のオンラインでコンピューター化されたカタログ (online computerized catalogs) 26が含まれる。

#### 【0029】

貸し出しデスク28は、従業員スペース領域18の部分から公共スペース領域16の部分と分離する。従業員スペース領域18には、事務部門 (back office) の業務領域30が含まれる。さらに他のオンラインでコンピューター化されたカタログ26が、貸し出しデスク28および事務部門の業務領域30に配置されている。その他の雑多のコンピューター設備、例えばバー・コード読み取り器46またはコンピューター48などがこれらの位置に置かれていても良い。コンピューター48と関連するデータベースは、図書館のコレクションにおける全ての物品22についてのインベントリー・データならびに利用者によってチェックアウトされた物品22に関するデータを蓄積している。

#### 【0030】

オンライン・カタログ26は、コンピューター48およびそのデータベースに接続されている。前述した全ての特徴および素子は、通常のものである。図書館にはまた、典型的には、ビデオ、CD-ROM、カセットその他のようなその他の資産情報に充てられた領域が含まれる。簡潔のため、これらの代わりの資産は、図1には示されていない。本明細書全体を通して、物品および書籍という語は、相互に交換可能に用いられている。しかしながら、「物品」という語の範囲には、ビデオ、CD-ROM、カセット、新聞その他のような図書館で典型的に見出せるその他の種類の品目が含まれるということが理解されるべきである。

#### 【0031】

図書館10にはさらに、インベントリー管理および物品利用の追跡のための新規な方法およびシステムと関連する素子が含まれている。

第1に、図書館には複数の「スマートな」物品返却領域または図書返却箱が含まれている。従来技術の図書返却箱は、単にチェックインおよび棚への並べ直しのために、利用者によって返却される書籍の一時的な蓄積場所を提供するように機能していたに過ぎない。本発明の「スマートな」図書返却箱は、物品22にそれらが図書返却箱へと通過するとき呼び掛け、そしてそれらの識別についての情報を読み取り、記録し、かつ処理する。図1には、1つのスマートな外部の物品返却領域または図書返却箱32、および3つのスマートな内部の物品返却領域または図書返却箱34が示されている。外部の図書返却箱32によって、利用者は図書館10が閉まっているとき、または利用者が物理的に図書館10の中に入りたくないとき、物品を返却することが可能となる。また図書館の方針が、全てのチェックアウトされた物品22が、外部の図書返却箱32に返却されるよう要求するかもしれない。

#### 【0032】

図書返却箱32または34は、このように返却される物品22のチェックイン・ターミナルとして機能するであろう。内部の図書返却箱34は、公共領域16および/または従業員スペース領域18に置かれるであろう。利用者が物品22を貸し出しデスク28へと返却するとき、従業員は、物品22を、従業員スペース領域18に配置される内部の図書返却箱34に入れる。利用者はまた、借りていた物品22を公共の場所に置かれた内部の図書返却箱34のいずれかに入れるかもしれない。双方の場合において、借りられていた物品は、チェックアウトされた後で返却される物品であるか、または利用者が図書館内にいる間に利用されたが、チェックアウトされなかった物品であるかもしれない。

#### 【0033】

物品22の各々は、無線周波数識別 (radio frequency identification、RFID) タグを有しており、ときにはそれに付着される「インテリジェント (intelligent: コンピューターを内蔵した) タグ」と呼ばれる。このようにRFIDタグは、本発明の開示された実施例においてはインテリジェントなセキュリティ・タグになっている。RFIDタグを、図2について以下で記述する。そのRFIDタグが適切に呼び掛けられると

き、それらは、物品22の識別および図書館におけるその適切な位置を確認するのに用いることのできる独自の情報を返信する。

#### 【0034】

第2に、図書館10には、一組以上の「スマートな」ペDESTALZ 36が含まれている。記述されたような一組の「スマートなペDESTALZ」は、RFIDタグと通信することのできる呼び掛け器を含むペDESTALZの構成をしたデバイスである。一組のスマートなペDESTALZ 36は、タグの付いた物品22がペDESTALZ 36の間の予め指定されたゾーン内にあるとき、RFIDタグを読み取る。図1において、一組のスマートなペDESTALZ 36は、利用者が図書館10に入るまたはそこから出るために通過しなければならないゾーンをモニターする。もう一つの組のスマートなペDESTALZ 36は、従業員が、図書館10に入り、そこから出るゾーンをモニターする。それらのゾーンの各々は、監視カメラ (surveillance camera) 38または生物測定デバイス (biometric measurement device) によって、選択的にモニターされる。

#### 【0035】

スマートなペDESTALZ 36の各組の出力は、ペDESTALZ 36の間のゾーン内で検出された物品22が適切にチェックアウトされているかどうか照合するために、コンピューター48のデータベースに接続される。図書館10にはまた、磁気セキュリティ・タグまたはインテリジェントではない共振セキュリティ・タグのような従来技術のセキュリティ・タグを運搬する物品の存在を検出するための、ここでは「ダムなペDESTALZ (dumb pedestals) 40」として参照される、一組のセンサーもまた含まれるであろう。ダムなペDESTALZ 40は、定期刊行物が図書館10の指定された部分 (例えば、定期刊行物ルーム23) 内にあるということを確認するために用いられるであろう。代わりに、ダムなペDESTALZ 40は、スマートなペDESTALZ 36と同様のものだがコンピューター48のデータベースに接続されていないものであってもよい。物品24が、定期刊行物ルーム23から移動されることは許されていないので、ダムなペDESTALZ 40の間でいかなる物品24が検出されてもアラームが始動される。

## 【0036】

第3に、図書館10には、持ち運び可能な無線周波数(RFID)タグ・スキャナーまたはいわゆる「RFIDスキャナー」が含まれている。これらのスキャナーは、以下でより完全に記述されるようにRFIDタグと関連する識別情報を読み取ることができる。一つのRFIDスキャナー42が、貸し出しデスク28で示されており、そして持ち運び可能なスキャナー42が一組の本棚20の近隣に示されている。2つの追加のスキャナー42は、次に記述される新規のチェックアウト・ステーションと関連する。持ち運び可能性が要求されないとき、固定呼び掛け器43が、持ち運び可能なスキャナー42の代わりに、またはそれと連係して、貸し出しデスク28および新規なチェックアウト・ステーションで使用されるであろう。

## 【0037】

第4に、図書館には、利用者が構内から取り去るにつき物品22をチェックアウトすることを可能とする利用者セルフ・チェックアウト・ステーション50が含まれる。チェックアウト・ステーション50には、固定呼び掛け器43、および選択的に、一つ以上の選択の持ち運び可能なRFIDスキャナー42が含まれ、それら双方ともチェックアウト・ステーション50に存在する物品22を識別するのに用いられる。チェックアウト・ステーション50にはまた、固定呼び掛け器43およびスキャナー42からデータを受け取るために少なくとも一つのコンピュータ端末52が含まれる。コンピュータ端末52はまた、利用者識別デバイス68に接続される。貸し出しデスク28にはまた、利用者かまたは従業員かが、物品のチェックアウトのために用いて良い固定呼び掛け器43、選択的なスキャナー42、コンピュータ端末52、および利用者識別デバイス68が含まれる。利用者のセルフ・チェックアウト・ステーション50は、図5に関して以下により詳細に記述される。

## 【0038】

本発明の新規なシステムは全て、各物品22に付着されるRFIDタグを用いる。そのようなタグは、従来技術において周知のものである一方、本発明に特に適合して使用される一つの特定の種類のRFIDタグは、アンテナを有する受動

無線周波数タグであり、そして好ましい実施例においては、集積回路に接続されるアンテナまたは誘導子コイルを具備するRFIDタグである。

図2には、本発明で使用するのに適するサンプルのRFIDタグ54の一般の詳細が示される。タグ54には、周知技術であるとおりに、読み取り器または呼び掛け器によってモニターされるゾーン内にタグ54があるとき検出するのに用いられる受動共振無線周波数(RF)回路56が含まれる。一つの周知の種類回路56は、コイル・アンテナ58およびキャパシタ60を有し、それらは一緒に所定の共振周波数、すなわち選択された無線周波数をもつ共振回路を形成する。

#### 【0039】

タグ54のための電力は、通常やり方でアンテナ58から得られる。さらには、タグ54には、タグ54に「インテリジェンス」を備えさせるための集積回路(以下IC)62が含まれる。IC62は、回路56に接続される。IC62には、識別データのビットを蓄積する例えば64ビット・メモリーのようなプログラム可能なメモリー64が含まれる。もちろん、その他のタグのデザインもまた本発明で使用されうるもので、また本発明は、示されている特定のタグ54に限定されるものではない。例えば、キャパシタ60は、誘導子(インダクタ)コイルのみをIC62の外にあるものとしてIC62上に配置されうるものである。

#### 【0040】

IC62は、十分な電力がそれに印可される時蓄積されたデータの64ビットからなるデータ・ストリーム(data stream)を出力する。本発明の一つの実施例において、データ・ストリームは、一連のデータ・パルス(data pulses)をそのデータ・パルスの持続期間コイル・アンテナ58の両端の間に余分のキャパシタ(図示されていない)をスイッチすることによって作り出す。このことは、RF回路56の共振周波数を、動作周波数からそれを離調して変化させる。こうして、RF回路56が簡単な応答信号を返信する代わりに、それが予めプログラムされた情報のパケットを収容する信号を返信する。情報のパケット(packet)(複数のデータ・パルス)は、呼び掛け器受信回路によって受信されてかつ処理され、また(必要であるならば)復号されて物品

22についての識別情報を提供する。

#### 【0041】

タグ54から識別データを出力するためにICメモリー64の中のデータを用いるという、その他の方法も本発明の範囲内のものである。IC62はまた、好ましくは、受動デバイスであって、RF回路56と同じやり方で（すなわち、呼び掛け器送信器信号からアンテナ58で受信されるエネルギーを用いることによって）電力を供給される。このように、タグ54は、いわゆる「周波数識別（RFID）タグ」である。その他の種類のRFIDタグも本発明で用いて良い。タグ54として適切に使用されるその他のRFIDタグの例は、米国特許第5,446,447号（カーニー（Carney）他の）、第5,430,441号（ビックリー（Bickley）他の）、および第5,347,263号（キャロル（Carroll）他の）に示されている。典型的には、RFIDタグは、物理的には非活性化されないものである。すなわちそれらは、再使用を防止するよう永久的にショートされてしまうことがなく、またそれらはその中の磁石を磁化するまたは消磁することによって無力化されるものではない。

#### 【0042】

図3は、図2に記述されるタグ54での使用に適した読み取り器または呼び出し器100を概略するブロック図である。呼び出し器100およびタグ54は、周知技術の通り、誘導結合（inductive coupling）によって通信する。呼び出し器100には、送信器102、受信器104、アンテナ組立体106、およびデータ処理および制御回路108が含まれ、各々が入力および出力を有する。送信器102の出力は、受信器104の第1の入力およびアンテナ組立体（アSEMBリー）106の入力に接続される。アンテナ組立体106の出力は、受信器104の第2の入力に接続される。データ処理および制御回路108の第1および第2の出力は、送信器102の入力および受信器104の第3の入力にそれぞれ接続される。さらには、受信器104の出力は、データ処理および制御回路108の入力に接続される。

#### 【0043】

この全般的構成を有する呼び掛け器は、米国特許第3,752,960号、第

3, 816, 708号、第4, 223, 830号、および第4, 580, 041号に記述される回路を用いて作り上げられて良い、これらは全てウォルトン (Walton) に対して与えられていて、それらの全ては、それらを参照することによってそれらの全体を本件に組み込むものとする。呼び出し器100は、図1において例示されるように、一組のスマートなペDESTALZ 36または持ち運び可能なRFIDスキャナー42として物理的に実現される。

持ち運び可能なスキャナー42の一つの好ましい実施例は、直径が約6インチから約8インチのプレート（平板）またはディスク（円盤）のような共振回路アンテナを有し、かつ書庫の最上および最下の棚に到達するようアーム延長部に載置される。

#### 【0044】

本発明の新規なシステムのいずれかが実現される前に、図書館10は、物品22にタグを付け、また全てのタグの付けられた物品22のコンピューター48内のデータベースを準備設定する。理想的には、図書館における物品22の全てにタグが付けられる。しかしながら、たとえ全ての物品にタグが付けられなくとも、より効果的ではないがシステムは機能することができる。本発明の一つの実施例において、図書館10は、空白の（プログラムされていない）タグ54を受け取り、適切にプログラムを行うことによって（もしそれらが既に前もって付与されていないならば）タグ54の各々に独自の連続番号を付与し、タグ54を物品22のそれぞれに物理的に付着し、そして各タグ54特には、その独自の連続番号をそれぞれの物品22に相互的に関係させるデータベースを作り出す。物品22が前もってタグを付けられて図書館10に到着するならば、プログラムを行うステップは削減される。

#### 【0045】

ここに例示される例において、図書館10はタグ54を100の物品に付ける。次に、インベントリー・データベースが以下のやり方で作り出される：

1. 物品22が、タグ54から独自のプログラムされた連続番号を引き出す固定呼び掛け器43または持ち運び可能なRFIDスキャナー42によって読み取られる。



2. データベースの記録が、その連続番号についてのデータベース記録が加えられる。

3. 次に、その物品22についてどのようにしてでも、例えば物品22に付いた現存するバー・コードまたはラベルを読み取ることによって、または手作業で識別する情報を入力するか、またはそのような情報を別のデータベースまたは蓄積デバイスから読み取るかすることによって、品目識別情報が得られる。その品目識別情報は続いて、それぞれのタグ連続番号についてデータベース記録に加えられる。大抵の大きな図書館は、既にそれらのコレクション（すなわち、物品22）の現存するデータベースから生成される自動化されたオンラインのカタログを有している。

#### 【0046】

このように、図書館10は、タグの付いた物品22についての情報の完全に新しいデータベースを作り出すよりも、むしろ物品22に付着される特定のタグ54の連続番号を識別するために現存するデータ・フィールドへの追加情報のみが必要である。代わりに、図書館10は、その現存するオンライン・カタログを保有し、そしてタグの付いた物品22の状態を追跡するための新しいデータベースを作り出すこともできるであろう。以下の記述では、図書館10が完全に一体化されたデータベースを準備設定するか、またはオンラインのカタログ情報が、物品22についての全ての利用できる情報が簡単に検索できるように、タグの付いた物品のデータベースとリンクされていると仮定するものである。図書館のコレクションにおける物品22のデータベースにはまた、物品22がチェックアウトされているかどうか、誰がそれをチェックアウトしているのかそして何時それが戻ることになっているか（すなわち、物品返却期日データ（*article due data*））のような貸し出し状態情報（図示されていない）が含まれる。

#### 【0047】

図4は、前述のようなプロセスによって作り出されるデータベース記録のシーケンスのサンプルである。各記録には、タグ識別情報のためのフィールド（*field*）（例えば、タグ22の連続番号）および品目識別情報のためのフィール

ドが含まれる。タグ識別情報は、「物品識別情報」と相互的に関係しており、そしてそれでまた「物品識別情報」として参照される。すなわち、タグ連続番号は独自であるので、それは物品を識別するのに用いられても良い。物品識別情報は、デューイ十進システム呼び出し番号 (Dewey Decimal System call number)、国会図書館呼び出し番号 (Library of Congress call number)、ISBN番号または任意に付与される番号であって良い。品目識別情報の最後の数字 (デジット) は、図書館のインベントリーにおける品目の複本番号 (コピー・ナンバー) を識別するのに用いられても良い。品目識別情報にはまた、タイトル、著者、出版社などのような図書目録 (bibliographic) データのいずれかの部分が含まれていても良い。

#### 【0048】

選択的に、データベース記録には、物品22が蓄積されている大きな図書館システムの所定の場所のような追加の情報が含まれていても良い。大学は、典型的に、主要図書館に加えて個別の学部図書館を有している。大きな政府の図書館システムは複数の支部を有する。追加の位置情報は、そのようなそれぞれの位置で物品22を適切に識別するのに用いられても良い。タグの付いた物品22のデータベースは、(分離したデータベースとして構築されていようが、または現存するオンライン・カタログ26に添付されていようが) データベース66としてコンピューター48に蓄積されるが、しかしまた離れたコンピューター (図示されていない) に蓄積されても良い。

#### 【0049】

データベース66にはまた、選択的に各物品22のチェックアウト状態を保有するためのフィールド、および物品22の現在の位置を保有するためのフィールドが含まれていても良い。例えば、チェックアウトされた物品がチェックアウト状態フィールドにおいてチェックアウトされているとしてフラッグが付けられ (flagged) ており、また物品をチェックアウトした利用者の利用者識別番号が利用者IDフィールドに蓄積されている。利用者IDフィールドはまた、物品が現在のところ図書館の棚にあるということ (例えば、利用者IDフィール

ドに蓄積されるゼロ（000000）で）知らせ、また物品が返却されていてまだ棚に並べ直されていない（例えば、利用者IDフィールドに蓄積される000001で）ということを示しても良い。チェックアウト状態および利用者IDフィールドならびにその他のフィールドは、別々のデータベースに蓄積されてもまたはリンクされたリストとして馳駆されても良く、またその他の情報もまたデータベース66に蓄積されるかまたはデータベース66にリンクされていても良いということが理解されるであろう。

#### 【0050】

図5、図6、および図9には、物品22にタグが付けられ、またデータベース66が確立された後実現することのできる本発明によるシステムが示されている。より詳しくは、図5には、利用者のセルフ・チェックアウト・システムが示され、図6にはスマートな図書返却箱が示され、そして図9には、棚のスキニングのインベントリー・システムが示されている。明瞭化のため、これらの図は、図1と一緒に記述される。

#### 【0051】

図5には、図1における利用者のセルフ・チェックアウト・システム50の概略ブロック図が示されている。利用者が図書館のコレクションから物品22をチェックアウトしようと思うとき、利用者は、利用者識別（ID）デバイス68を通してシステムに自分を識別させる。利用者IDデバイス68は、利用者の図書館カードからのデータを読み取るバー・コード読み取り器または磁気ストライプ読み取り器のようなカード読み取り器であって良い。利用者IDデバイス68はまた、物品22へ呼び掛けるのに用いられるのと同じ固定呼び掛け器43またはRFIDスキャナー42であっても良い。代わりに、利用者IDデバイス68は、指紋または虹彩スキャナーのような生物測定法の（生理学的な）読み取りデバイスであっても良い。本発明の別の代わりの実施例において、利用者は、IDおよび/またはパスワードをコンピューター端末52に入力することによって、システム50に自分を直接識別させても良い。

#### 【0052】

利用者IDデータは、コンピューター48に蓄積される利用者のデータベース

と通信を行って、利用者が物品22をチェックアウトする許可が得られているという照合をするコンピューター端末52によって受け取られる。もしその利用者が利用者データベースにないか、または利用者が規範から外れている (delinquent) ならば、チェックアウトの手順が終結されてしまうか、またはコンピューター端末が利用者登録ルーティンに入るかするであろう。利用者が識別され、許可の得られたユーザーであることが確認された後、以下のステップを行うことによってチェックアウトのプロセスが始まるであろう。

#### 【0053】

利用者は、物品22と関連したタグ54に呼び掛けて、タグ54によって返信されるデータを読み取るように、チェックアウトされるべき物品22および/または固定呼び掛け器43かまたはスキャナー42かを操作する。物品22は好ましくは、RFIDタグ54が付けられているので、物品22は、呼び掛け器43またはスキャナー42に近接して置かれるだけの必要しかない。呼び掛け器43またはスキャナー42からのデータ出力には、タグ54の連続番号が含まれている。

#### 【0054】

タグの連続番号は、直接またはコンピューター端末52を通して、物品22についての適切な記録をデータベース66において探し出すコンピューター48へと送られる。物品22が適切に図書館10にチェックインされているならば、利用者はそれをチェックアウトして良い。続いてデータベース66が更新されて物品22が現在ステーション50を用いている利用者へとチェックアウトされていることが示される。これらのチェックアウトのステップは、利用者がチェックアウトしたいと思う各物品22について繰り返される。

#### 【0055】

図12には、図1および図5における利用者セルフ・チェックアウト・システム50のための代替の入力プロセスが示されている。利用者がチェックアウトしたいと思う物品22の全ては、トレイ150上または物品22の全てに同時に呼び掛ける固定呼び掛け器43'の近接にあるハウジングのような所定の呼び掛けゾーンに置かれるであろう。RFID呼び掛け器は、視野の直線を必要とせず

、したがって所定の領域に置かれている複数のタグをその領域におけるそれらの向きに関わらず同時に呼び掛けるであろう。呼び掛け器43'はまた、利用者IDカード152(それにはまたタグ54が含まれるかもしれない)ならびに品物22に付着されたタグ54の双方を読み取るよう設計されていても良い。

#### 【0056】

このように、図5の利用者IDデバイス68は、図12の呼び掛け器43'に組み込まれても良い。チェックアウトするために、利用者は、単にIDカード152および品物22を所定の領域に置いてチェックアウト・プロセスを開始するだけでよい。呼び掛け器43'からのデータ出力は、直接かまたはコンピューター端末52を介してデータベース48に通信される(図5)。

コンピューター端末52は、利用者がチェックアウト・ステップを通るように促したり、各物品の呼び掛けの結果を照合するメッセージのようなステップに関する情報を返信するのに用いられても良い。コンピューター端末52はまた、品物22についての返却期日を利用者に知らせても良く、また、選択的に利用者のためのチェックアウトの取り扱いおよび返却期日の記録を打ち出すプリンターが含まれていても良い。

#### 【0057】

適切にチェックアウトされた品物22のみが図書館10から取り出されることを確認するために、一組のスマートなペDESTALZ36(図3の呼び掛け器100の素子の中に組み込まれている)が、品物22をそれらが利用者または従業員が図書館10を出るために通過しなければならないゾーンを通過するときに呼び掛ける。各呼び掛けられた品物22の状態は、データベース66にチェックインされる。品物22が適切にチェックアウトされていないならば、アラームが始動されて利用者および図書館の従業員にその問題を警告する。

#### 【0058】

代わりにアラームはゲート(図示されていない)をロックし、それによって利用者または従業員が図書館10を出るのを防ぐものであっても良い。代わりに、チェックアウトされていない品物についての情報がデータベースに記録されてアラームが作動されないものであっても良い。上記の通り、出口ゾーンは選択的に

ゾーンを通過する利用者または従業員の画像または生物測定データを記録するようアラーム信号によって作動される監視カメラ38または生物測定装置によってモニターされる。利用者または従業員が、アラームを無視してチェックアウトされていない物品22をもって図書館10を出るならば、画像が有用となるであろう。

#### 【0059】

選択的な構成に置いては、利用者が図書館を出るときチェックアウトが自動的に行われる。この実施例に置いては、スマートなペDESTALZ36と関連する呼び掛け器は、利用者IDカード(RFIDタグもまた含まれている)ならびに物品22に付着されるタグ54の双方を読み取ることができる。利用者が、スマートペDESTALZ36を歩いて通ると、物品22が自動的にチェックアウトされる。代わりに利用者は、出口のドアまたは通路の仕切(passage barrier)のロックを解除するカード読み取り器に、識別カードを挿入することが要請されるかもしれない。スマートペDESTALZ36は、出口のドアまたは通路の仕切に配置される。利用者が出口のドアまたは通路の仕切を通過するとき、スマートなペDESTALZ36と関連する呼び掛け器が物品22をチェックアウトする。

#### 【0060】

これらの選択的な構成は、典型的には、私設、会社または大学の環境において見かける、係員のいない図書館には特に適切である。

物品22のタグが、書き込みまたは再書き込みの能力を有するならば、タグ・メモリーの一つ以上のビットが物品22の「チェックアウトされた」状態を指示するのに用いられても良い。チェックアウトの間、その一つ以上のビットに適切な変更がなされる。この場合には、スマートなペDESTALZ36と関連する呼び掛け器が、物品が適切にチェックアウトされていないということを検出するならば、物品22の状態を確認するためにデータベース66を調査する必要はなく、また利用者は、アラームを鳴らしたり、物品データベースの調査を引き起こすことなくゾーンを通過するものである。

#### 【0061】

図6を参照すると、図1における外部（屋外）のスマートな図書返却箱（book drop）32の概略ブロック図が示されている。利用者が物品22を図書館10に返却しようと思うとき、利用者は、単に物品22をスマートな図書返却箱32に投入するだけである。外部のスマートな図書返却箱32には、その図書返却箱32に入れられる物品22を最初支持するためのトレイ、パネル、仕切（compartment）その他（138としてラベル付けされている）が含まれる。トレイ138の外部の境界は、図6において破線で境界の定められた呼び掛けゾーン110と一致する。図書返却箱32にはまた、その図書返却箱32によって受け付けられた物品22を受けてそれを保持する収集容器（collection bin）112が含まれる。

#### 【0062】

動作においては、一旦利用者がトレイ138にアクセスを行って、その上に物品22を置くと、呼び掛け器100が物品22のタグ54を読み取り、そしてその読み取られた物品22の受け取られた連続番号をそのデータベース66における連続番号と比較する。もし物品22が図書館10に所属するものであるならば、図書返却箱32は、物品22が収集用器112へと通過することを可能とし（例えば、ゲート114を開放することによって）、そしてコンピューター48におけるデータベース66に物品22が返却されたという信号を送る。

#### 【0063】

そうでなければ、表示パネルその他（図示されていない）が、利用者に物品22が図書館10に属するものではなく、トレイ138から移動されるべきものであることを知らせる。もし物品がタグ54を有しておらず、かつ図書館10がその全体のコレクションにタグをしているのであれば、図書館10はまた利用者にその物品が図書館10に所属するものではなく、トレイ138から移動されるべきものであることを知らせる。もし物品がタグ54を有しておらず、かつ図書館10がそのコレクション全体にタグをしていないならば、図書館10としては、それらが図書館のコレクションに所属するものではないかもしれないけれども物品を受け付けることを望むかもしれない。図書館10に所属するものではない物品はどれも、収集容器112が空にされた後で図書館の従業員によって処理され

る。

#### 【0064】

図書返却箱32とは別の実施例では、トレイ138がない。その代わりに物品22は単に、投入口を通過して図書返却箱32へと落とされ、直接収集容器112の中に落ちる。物品22は、呼び掛け器100によってそれらが収集容器112の中に落ちて行くときに、または容器112が空にされる前に一度に同時に、読み取られる。もし物品22が一度に同時に呼び掛けられるならば、呼び掛け器100の範囲は、容器112の全ての領域に到達するのに十分であることしか必要ではない。

#### 【0065】

外部の図書返却箱の一つの問題は、バンダル(vandals:公共物を破壊する者)が、前もって図書返却箱に挿入されている物品を破損しようと試みたり、図書返却箱それ自体を破損しようと試みたりすることである。例えば、バンダルは、液体やまたはやっかいな食品を図書返却箱にそそぎ込むかもしれない。より悪辣な場合には、バンダルは、可燃性の液体や燃えている物を図書返却箱へとそそぎ込んでその中で火をおこそうと試みるかもしれない。バンダルによる外部のスマートな(コンピュータ装置内蔵の)図書返却箱32の内部の部分へのアクセスを最小限のものとするために、図書返却箱32には、図5において記述されるのと同様の利用者IDデバイス68およびトレイ138へアクセスを行うためのアクセス・ドア140が含まれても良い。アクセス・ドア140は、利用者が許可されているユーザーである場合にのみ開放する。

#### 【0066】

図書返却箱32はまた、引っかかった物品22によって引き起こされる通路のつまり(ジャム)を検出する手段およびそのつまりをコンピューター48にレポートする手段を有していても良い。呼び掛け器100が、長期間にわたって呼び掛けゾーン110において同じ連続番号を繰り返し検出するならば、つまりであることと推定することができる。

定期的な間隔で、図書館の従業員は収集容器112を空にして、物品22を棚に並べ直す。全ての物品が適切にチェックインされなおしていることを確認する



ために、図書館の従業員は、物品22が棚に並べ直される前に収集容器112に呼び掛けたいと思うであろう。選択的には、チェックインの読み取り器は、従業員が物品22を分類および取り扱いプロセスの一部として、呼び掛けられるものとするであろう図書返却箱または図書返却処理作業スペースに隣接して位置付けられるであろう。チェックイン呼び掛け器と関連する端末は、特別な取り扱い要件などについて従業員に指図を行うことができる。

外部の図書返却箱32によって発生されるデータは、容器内容のレポートおよび棚への並べ直しのレポートを作り出すように、データベース66によって用いられる。容器内の物品のレポートは、関心のある特定の物品が収集容器112にあるかどうかを容器112から物理的にソートすることなしに、迅速に確認するのに用いられるであろう。容器内容のレポートはまた、通常は予備にとって置かれるかまたは他の利用者によって要請されていたかする物品22を強調する（highlight）であろう。容器内容のレポートはまた、収集容器112における物品22についての一般のデータも提供する。容器内容のレポートの一つの種類は、物品の棚への並べ直しのために用いられるであろう棚並べ直しレポートである。図書館は、膨大な量の労働資源を、コレクションにおける物品（例えば、書籍、定期刊行物その他）の棚への並べ直しに充てている。典型的には、物品22の全ては、中央の場所に運ばれ、場所によって分類され（例えば、床、書庫または棚、列）、異なる台車に乗せられ、そしてそれぞれ棚に並べられる場所に配送される。棚への並べ直しレポートは、物品22を棚に並べ直すための時間および努力を劇的に低減するのに用いることができる。

#### 【0067】

図7は、収集容器112における5つの物品22によって発生させられる棚への並べ直しレポート116のサンプルである。レポート116は、棚の位置にしたがって並べられる物品22のリスティング（listing）を提供する。棚の位置は、それぞれの物品を収容する棚の列であるか床／棚の位置のような物品22を返却する上で従業員の手助けとなるその他の指定を行う情報であって良い。

そのような分類された棚並べのレポート116を提供することは、棚に並べ直

すプロセスの助けとすることができる。例えば、レポート116を用いる棚への並べ直しの一つの方法において、従業員は単に、収集容器112を棚への並べ直しレポート116上で列挙される第1の場所へと動かし、収集容器112においてレポート116での第1の物品22を探し出し、そしてそれを棚に載置する。

#### 【0068】

そしてこのプロセスが、棚への並べ直しレポート116での各物品について繰り返されて良いであろう。収集容器112を動かすことができないならば、物品22は、移動可能な台車へと移される必要があるだけで移動可能な台車を、ある位置から別の位置へと動かすことによって上述のプロセスが行われるであろう。棚への並べ直しレポート116は、好ましくは、図書館内を通るルートの手前プログラムされた最短の経路を利用して規定される。予め指定された場所から最短の経路ルートを生み出すことは周知の従来技術である。

#### 【0069】

再度図1を参照すると、図書館12は公共の領域16および／または従業員のスペース領域18の一つ以上の内部のスマートな図書返却箱34が含まれる。内部の図書返却箱34は、内部の図書返却箱34に入れられる大抵の物品22が図書館の利用者が図書館にいる間に使用するがチェックアウトされない物品22であるということを除いて、外部の図書返却箱32に類似している。したがって、返却される物品の状態を、それらがチェックインして戻されているということを示すために更新する必要はない。しかしながら、コンピューター48におけるデータベース66は、必要であるならば、チェックされて更新されるべきである、というのも内部の図書返却箱に入れられる物品22には、前もってチェックアウトされて利用者によって返却される物品22であるかもしれないものもあるからである。

#### 【0070】

容器内容レポートもまた、内部の図書返却箱34から生成される。(そのレポートには前もってチェックアウトされ、利用者によって返却されている物品22は含まれておらず、というのもこの情報は他のところで追跡されるからである。)  
) 容器内容レポートは、ある期間にわたって累積され、そして図書館10内で利

ユーザーによって使用されるが、チェックアウトされていない物品22の履歴使用レポートを生成するのに用いられる。この情報は、それによって図書館10がそのコレクションにおける物品22について内部使用データを獲得することができるようにするものなので極めて価値がある。図書館は継続してそのコレクションにおける物品の使用パターンを評価し、利用者の興味における傾向を確認して、どのような種類の新しい物品22を購入し、何時図書館の床から物品22を取り去り、いかにして床スペースが最も効率的に使用されるべきかを決定し、かつその他の管理業務において助けとするものである。

#### 【0071】

現在、図書館は、これらの問題を評価するために、チェックアウトのデータ、図書館員による観察および利用者によるコメントや要請に依存している。しかしながら、チェックアウトのデータが、図書館と関係する利用者の活動の全てをとらえるものではない。利用者は、典型的には、自分たちにとって興味のある全ての物品22をチェックアウトするものではない。物品22のパーセンテージの多くは、チェックアウトすることのできない参照品目である。利用者の中には、ある物品をチェックアウトし、それらが図書館内だけで読むものであることを読み取ってまごつく人もいるであろう。物品22によっては、チェックアウトする必要がないものもある、というのは、利用者は迅速に図書館内にいる間に物品22から関心のある情報を得ることができるからである。図書館員による観察および利用者によるコメントおよび要請は、正確にはある利用者の興味をとらえるものではないであろう。内部の図書返却データから生成される履歴使用レポートによって、図書館は、よりよく利用者の傾向および関心をとらえることが可能となる。

#### 【0072】

図8は、サンプルの履歴使用レポート136である。もちろんデータはどの適当なフィールドによって提示されかつ分類されるものであっても良い。同様に内部の図書返却箱34についての履歴使用レポート136は、チェックアウトされた物品22についての履歴使用レポート（図示されていない）と合体されて、全ての利用者にとって関心のある物品22のより正確な描写（picture）を

得ても良い。

物品22を最も効率よく棚に並べ直すために、内部および外部の図書返却箱34および32に入れられる物品の全ては、周期的に単一の移動可能台車に運ばれてそして内部および外部の図書返却箱34および32からの棚への並べ直しレポートが、その単一の台車(c a r t)についての単一の棚への並べ直しレポートに合体されるものとして良い。

#### 【0073】

図書返却箱32および34の内容から得られる情報は、また他の利用者が要請している、特に「ホットな(h o t : 人気のある)」物品22を探し出すのに役立つのに用いても良い。図書館のスタッフは現在、不釣り合いな時間量を比較的数少ない「ホットな」物品22を貸し出すのに費やしている。どの図書返却箱32, 34がホットな物品22を収容しているかを正確に知ることによって、ホットな物品22を再度貸し出すのに費やされる時間と労力が低減される。

図9には、図1における図書館10のための棚のスキャニング・インベントリー・システム120が示されている。システム120は、インベントリーを行い、そして物品22が適切な棚に置かれていることを照合するのに用いられる。図書館全体のコレクションのインベントリーを取ることは、極めて労働集約的で、エラーを起こしやすい活動である。システム120を用いることによってインベントリーのプロセスは大きく簡素化され、かつより熟練度の低い従業員によって行うことができる。したがって、インベントリーのチェックは現在実施されているよりもより頻繁に行うことができる。

#### 【0074】

システム120は、出力で持ち運び可能なコンピューター122に接続される持ち運び可能なRFIDスキャナー42を用いて実現される。持ち運び可能なコンピューター122は、RFIDスキャナー42によって収集されるデータをメモリー130に蓄積し、またデータベース66の更新のためにコンピューター48にデータをダウンロードする。本発明の一つの実施例において、持ち運び可能なコンピューター122およびコンピューター48には各々持ち運び可能なコンピューター122が連続してスキャナー・データをコンピューター48に送信す

ることを可能とするワイヤレス通信デバイス132が含まれる。本発明の別の実施例において、持ち運び可能なコンピューター122は、メモリー130からデータをダウンロードするために周期的に配線によって接続される(hardwired)かまたはそうでなければコンピューター48に物理的に接続される。

#### 【0075】

図9を参照すると、動作において、RFIDスキャナー42は、棚124の近接へと持ち込まれ、そして棚124の第1の部分1261がスキャナー41によって呼び掛けられる。スキャナー42は、タグの付された物品22からの返却信号(連続番号)を読み取る。連続番号は、処理されて持ち運び可能コンピューター122のメモリー130に蓄積され、そしてコンピューター48のデータベースへと通信される。次に、スキャナー42は、隣接する棚の部分1262または別の棚へと移動され、そして処理が繰り返される。どの棚の部分もやり残されていないことを確認するために、スキャナー42は隣接する以前にスキャンされた棚の部分126の小さな領域が重ねられるかもしれない。このプロセスによって、重なった領域128にある物品22は2回スキャンされることになるが、もし各物品22が独自の連続番号を有しているならば、2回目の読み取りは無視することができるので、2重のスキャニングは、インベントリーの精度に影響を及ぼさない。

#### 【0076】

図9および図10を参照すると、第1の部分1261は、スキャナー42から延びる所定のゾーン134の中にある。好ましくは、スキャナー42から発する呼び掛け信号の力は、棚124の第1の部分1261上の全ての物品22を効果的に呼び掛けるのに十分なだけ強いが、棚の隣接する列の上の物品22に到達するほど十分に強くはない。この特徴は、棚に平行な所定のゾーン134を仕切る架空の破線によって図10において例示されている。

図書館10において全ての物品を保持している場所がスキャンされた後、検出された連続番号がチェックアウトされていない物品のデータベース66に蓄積される図書館のインベントリーと比較される。スキャニングのプロセスの間、探し出されず、かつチェックアウトもされていない全ての物品22の失われた物品レ

ポートが生成される。物品22が失われていると仮定される前に、棚は物理的に点検されて、物品22が単にスキニングのプロセスが行われ損ねたかどうか、またはタグ54が失われているか不備であるかどうか判定しなければならない。

#### 【0077】

システム120はまた、間違っ場所にあるかまたは間違っ棚に並べられている物品22を識別するのにも用いて良い。各ゾーン134が、呼び掛けられるとき、持ち運び可能なコンピューター122および/またはコンピューター48は、読み取られたタグ54のいずれかが、スキャンされた部分126に所属しない物品22と関連するかどうかをチェックしてみる。例えば、ゾーン134が、AD-140-xxxxからAD-190-xxxxまでの呼び出し番号を有する書籍をカバーするならば、この範囲の外にある呼び出し番号を有するいかなる物品22も間違っ棚に並べられていると仮定される。持ち運び可能なコンピューター122は、間違っ棚に並べられた物品22を探し出して適切に棚に並べるよう従業員に信号を送るであろう。この方法によって、多くの小さな棚への並べ直しエラーは、検出されず、例えば、隣り合った呼び出し番号をもつ物品22が棚上で入れ替えられる（例えば、もしAD-140-332DがAD-140-332Eのそれが所属するところの左側ではなく、右側にあるならば）ようなものは検出されないということを認識するべきである。

#### 【0078】

本発明において用いられるタグ呼び掛け器およびスキャナーは、同時に呼び掛け器を通過されるまたは同時にスキャンされる複数の物品22を検出することができる。ほとんどの場合において、物品22の各々は、たとえ物品22が物理的にお互いに近いときでさえ、時間において異なる瞬間に呼び掛け信号を受信し、そしてそれに応答する。返却された信号のストリング (string) は、処理されてこのIDに仕分けられる。しかしながら、2つの物品がID信号を正確に同じ瞬間に返信するならば、呼び掛け器またはスキャナーは、どちらも返信された信号を仕分けして、2つの区別されるIDを回復することができる。代わりに、呼び掛け器またはスキャナーは、同時に受信された信号を無視して、同時に受信されない、それに続いての返却信号を用いて区別されるIDを仕分けること

もできる。

#### 【0079】

本発明のこれだけに限定をするものではないその他のバリエーションを、以下に列挙する。

(1) 連続番号を蓄積して出力する代わりに、タグ54は、タイトルまたは呼び出し番号のような物品それ自体についてのデータを蓄積および出力しても良い。図書出版社などは、書籍が印刷されるときに業界で認識されている符号化の体系を用いてタグ54を付着し、またプログラムすることができる。

(2) 前述のように、タグ54は、「書き込みの」能力を有し、それによってそれがまた物品22の貸し出しまたはチェックアウトの状態についてのデータを蓄積することも可能となるかもしれない。書き込みの能力はまた、物品22をチェックアウトした利用者に関するデータ並びにその返却期日を蓄積するのに用いられても良い。

#### 【0080】

(3) 図9のスキャンされる部分126の焦点が非常に小さく幅狭に作ることができるので一度に1つまたは2、3の物品22のみがスキャンされるようにすることもできる。こうして図10におけるゾーン134は、1つまたは2、3の物品22のみを包含するであろう。例えば、図11には、RFIDスキャナー42が棚124内の物品22の単一の列144に沿って動かされる体系が示されている。各列144が、別々にスキャンされる。(明瞭化のために、スキャナー42の最上部のみが図11に示されている。)ゾーン134を狭めることで、スキャナー42は各棚をカバーするために物理的により頻繁に動かされなくてはならないので、インベントリーを行うために要請される時間が増大する。しかしながら、より狭いゾーンをスキャンすることで、間違った棚に並べられた物品22がより容易に探し出すことができる。例えば、物品22が1つずつスキャンされるならば、システム・コンピューター66および/または122は、各物品が順次連続的により大きくなる(またはより小さくなる)呼び出し番号を有するかどうか照合することができる。このようにして、隣り合って入れ替えられた物品22を検出することもできる。

## 【0081】

(4) 図5の利用者セルフ・チェックアウト・システム50には選択的に規範から外れた利用者が罰金を払うことを可能とするために、コンピューター端末52に接続された借方 (d e b i t) カード読み取り器142が含まれても良い。このようにして利用者は、迅速に規範からのはずれを修復し、そして直ちに続いての物品22をチェックアウトする許可が得られるものとなることができる。

(5) 研究施設はしばしば卒業生に、建物からチェックアウトすることのない建物の中のどこかの指定されたキャロル (c a r o l : 仕切部屋) またはキオスク (k i o s k : 簡易建造物) で物品を保持しておくことを許可している。理想的には、学生は、物品が一時的に指定されたキャロルに位置していることを記録するために貸し出しデスクに物品をもってくることになっている。しかしながら、学生はしばしばそうすることを怠る。棚のスキャニング・インベントリー・システム120は、これらのはぐれた物品をとらえるのに用いられるかもしれない。定期的に図書館の従業員は、キャロルからキャロルへと歩いて、各キャロルで物品の全てをスキャンするかもしれない。キャロルを識別する場所符号が、それらがスキャンされる前または後に、各物品に付加されるかもしれない。

## 【0082】

(6) 珍稀な図書や、マルチメディア製品 (例えば、CD-ROM) のようなある物品にタグを付けることは、しばしば実現不可能である。したがって、利用者の識別カードは、物品の使用を追跡するため、および/または物品が用いられるべき図書館の選択された領域へのおよびそこからのアクセスを管理するために、用いられるかもしれない。この体系において、利用者IDカードは、好ましくは、RFIDタグの付いたカードであるであろう。例えば、利用者が、マルチメディア・ラボ (演習室) からの品目を借りるならば、利用者のRFIDカードおよび物品のジャケットまたはホルダー (タグが付けられている) が読み取られ、お互いに関連付けられるであろう。物品が非常に高価なもの (例えば8枚のCD-ROMバージョンのオックスフォード英語辞典 (O x f o r d E n g l i s h D i c t i o n a r y) は、図書館に一部895ドルの費用がかかる)、利用者が組になったCD-ROMならびにそのホルダーを返却する前にマルチメデ



ィア・ラボを出ようとするならば、そのラボへの出口は遮断されるであろう。

(7) スマートなペDESTALZ 36は在来の、(インテリジェントでない)非活性化できる共振タグおよび本件タグ54の双方を検出するよう設計されている。このようにして、同じ呼び掛けデバイスが、適切に非活性化されていない通常のタグの付けられた物品の移動を検出するのに用いられても良い。同様にダムなペDESTALZ 40が本タグ54および通常の(インテリジェントではない)非活性化されていない共振タグの双方を検出するよう設計されても良い。このようにして、RFIDのタグを付され、定期刊行物ルーム23に入るまたはそこから出るよう通過する物品が検出される。

#### 【0083】

(8) 図4に示されるデータベース記録には、各タグを付された物品22のためのセキュリティ・フィールドが含まれていて良い。セキュリティ・フィールドは、物品22の貸し出し移動についての制限を識別するであろう。例えば、セキュリティ・フィールドは、物品22が定期刊行物ルーム23または前述のマルチメディア・ラボ内に留まらなければならないということを指示するであろう。セキュリティ・フィールドは、物品22が、卒業生またはその他の所定のグループの利用者のような選択された利用者によってのみチェックアウトできるということを指示するかもしれない。これらの制限は、物品22がチェックアウト・カウンターまたはペDESTALZ 36で検出されるときコンピューター48によってチェックされる。

(9) 「チェックアウト」という用語は、典型的には図書館から書籍などを借りることと関連する。しかしながら、物品の「チェックアウト」は、チェックアウトが必ずしも、蓄積領域から物品を借りることを含むとは限らないという文脈で物品の「移動(リムーバル)」と同意義である。

#### 【0084】

(10) 本発明の好ましい実施例では、出口にペDESTALZの組が用いられている一方で、単一ペDESTALZの呼び掛け器もまた、もし適切ならば用いられて良い。

(11) 選択された物品のデータベースの記録は、物品のないところで権限のあ

る図書館職員によって変更されても良い。例えば、期限の切れた物品が検出されるならば、図書館の入口でアラームが始動されるよう設定されることが望ましいかもしれない。また、利用者が適切にチェックアウトされた物品を図書館に持ち込むならば、図書館の従業員はその存在を警告されるように返却期日前に物品を呼び起こすことも望ましいかもしれない。

前述の実施例に対して、その広い発明の概念から逸脱することなく変更がなされうるということを当業者は理解するであろう。したがって、本発明は、開示された特定の実施例に限定されるものではなく、添付した請求の範囲によって定義されるような本発明の精神および範囲内で変更したものをカバーすることが意図されているということが理解される。

【図面の簡単な説明】

【図1】は、本発明の一般的な特徴を例示する図書館の概略レイアウト図である。

【図2】は、図1の図書館によって貸し出される物品に付けて適切に用いられるRFIDタグを概略するブロック図である。

【図3】は、図2のタグを読み取るのに用いられる呼び掛け器を概略する詳細な機能ブロック図である。

【図4】は、図1の図書館によって使用されるタグの付けられた物品のためのデータベース記録のサンプルである。

【図5】は、図1の図書館において用いられる利用者のセルフ・チェックアウト・システムを概略するブロック図である。

【図6】は、図1の図書館において使用されるスマートな（smart：コンピューター内蔵の）図書返却箱を概略するブロック図である。

【図7】は、図6のスマートな図書返却箱によって収集されるデータから発生される棚への並べ直しのレポートのサンプルである。

【図8】は、図7の内部のスマートな図書返却箱によって収集されるデータから生成される履歴使用レポート（historical usage report）のサンプルである。

【図9】は、棚のスキャニング・インベントリー・システムを概略するブロッ

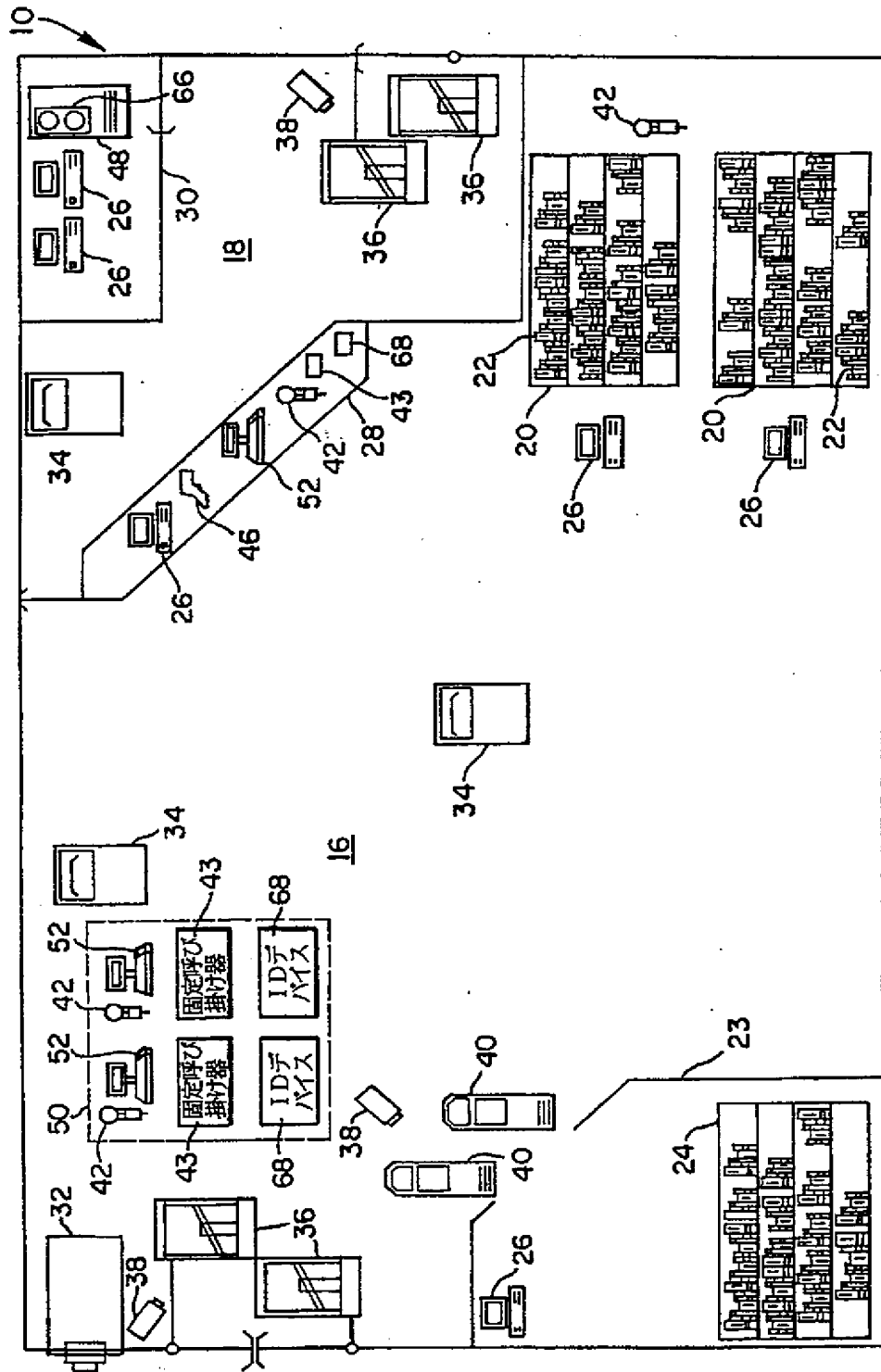
ク図である。

【図10】は、棚の列の上面図であり、図9のシステムを用いる物品のインベントリーを実施する呼び掛けゾーンを示す。

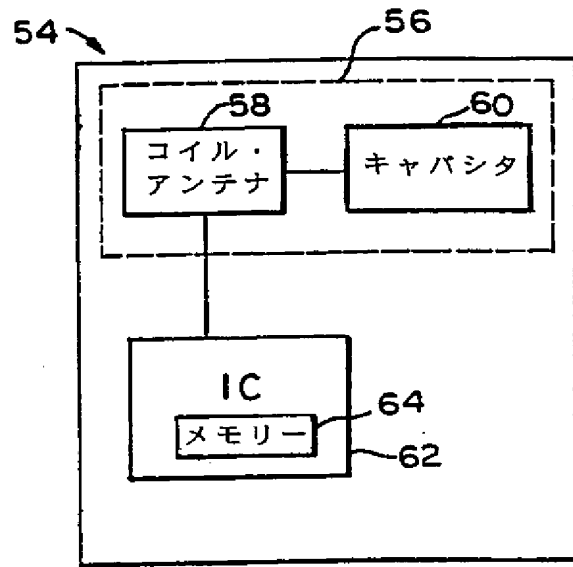
【図11】は、多重列の棚の正面立面図であり、図9のシステムを用いる物品のインベントリーを実施する方法を例示する。

【図12】は、図5における利用者のセルフ・チェックアウト・システムの代替の入カプロセスを示す。

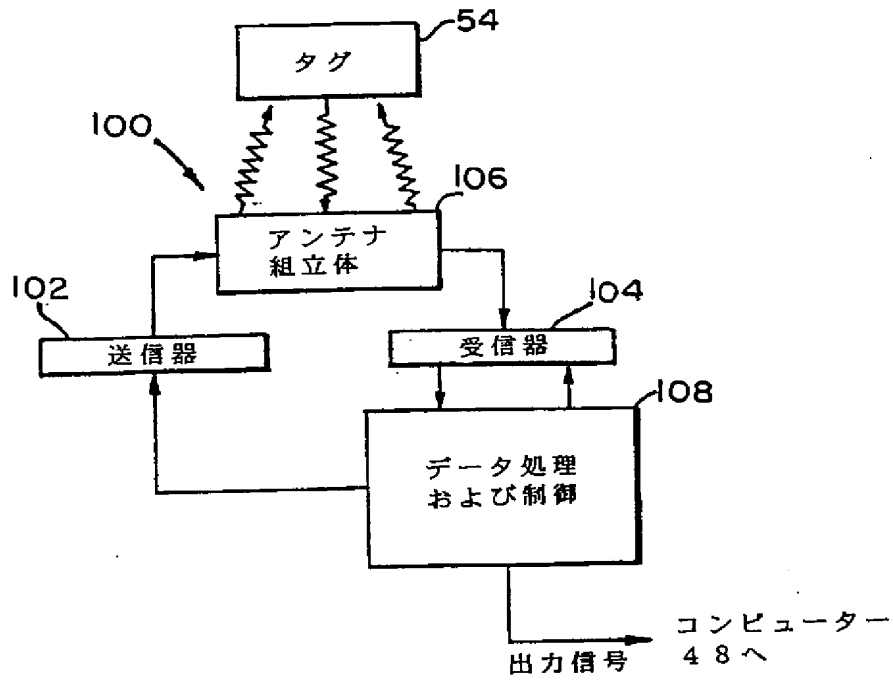
【図1】



【図2】



【図3】

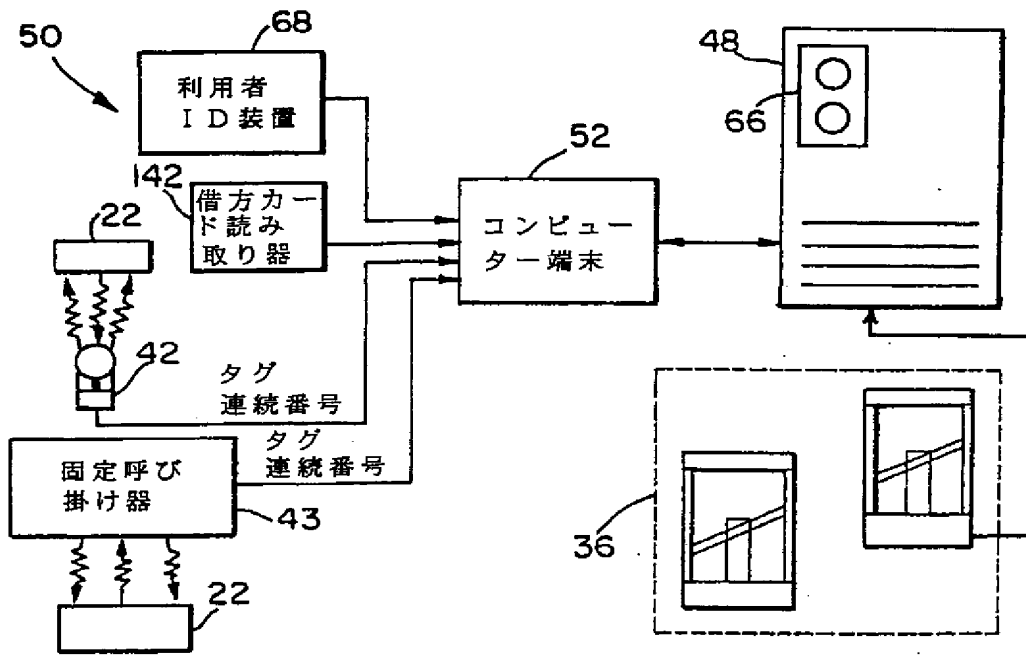


【図4】

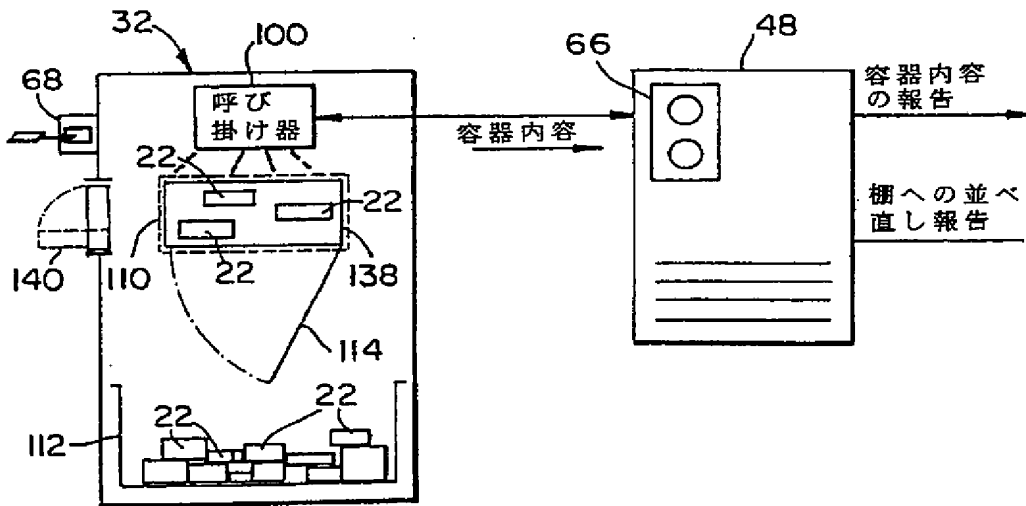
データベース記録

タグ識別情報	品目識別情報	位置	チェック アウト状態	利用者ID
S/N 001	KA-452-1100 1	MAIN	イン	000000
S/N 002	KA-456-1122 1	MAIN	アウト	123456
S/N 003	KA-456-1122 2	工学	アウト	234567
S/N 100	QR-123-340 1	MAIN	イン	000001

【図5】



【図6】



【図7】

116

棚への並び直し報告

位置へ行く	棚への並び直し物品	タイトル
書庫 AA-AC	AR-684-Q2	CAPTAINS OF CONSCIOUSNESS
書庫 CX-DF	DD-1892-P1	WHEN BAD THINGS HAPPEN TO...
書庫 QX-QZ	QY-149-R106	WHAT COLOR IS YOUR...
参考文献	RR-505-A4	TIME MAGAZINE
オーディオ・ビデオ	AV-443-U5	GROVER SINGS THE BLUES



【図8】

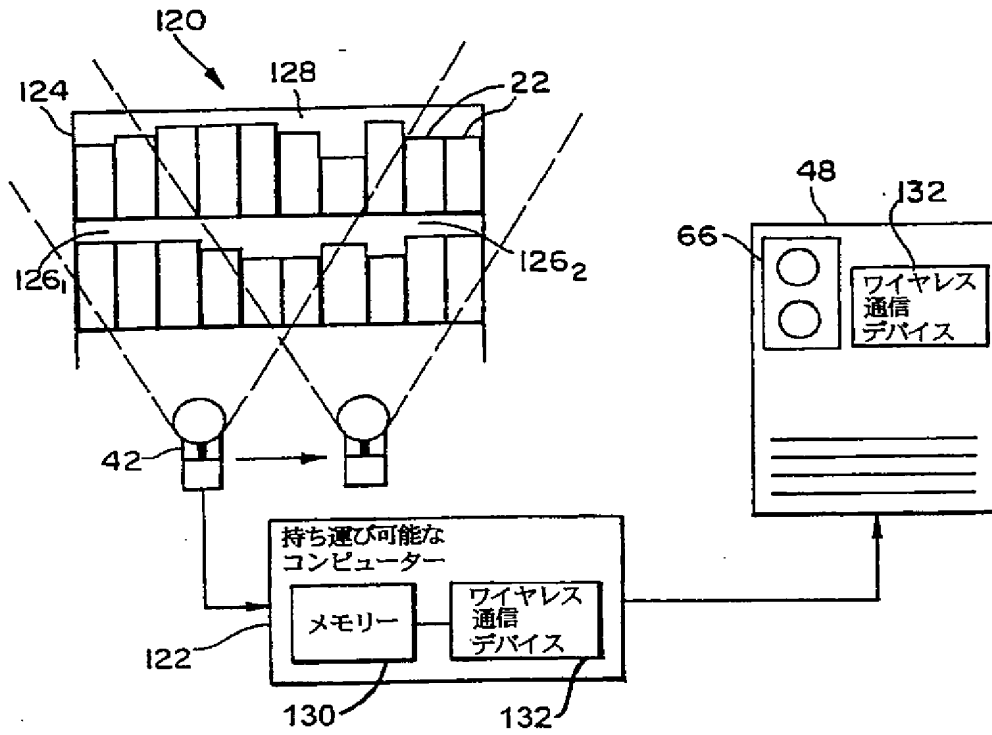
136

履歴使用報告

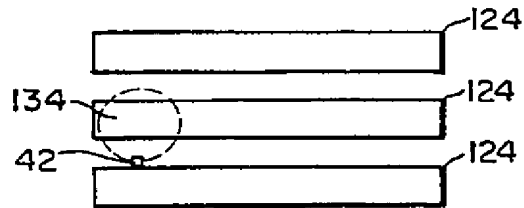
日付: 1/1/95 - 1/1/96

カタログ番号	タイトル	内部の図書 返却箱に入れ られた回数
RS-149-Q2	FUNDAMENTALS OF THE INTERNET	160
BQ-888-R40	MY BODY, MYSELF	100
AR-1006-B4	ENCYCLOPEDIA BRITANNICA	101
BN-456-Q2	FAMOUS SHORT PEOPLE	0

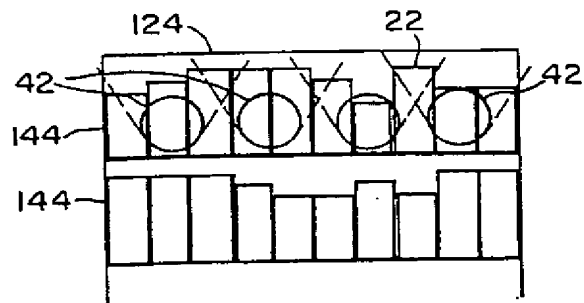
【図9】



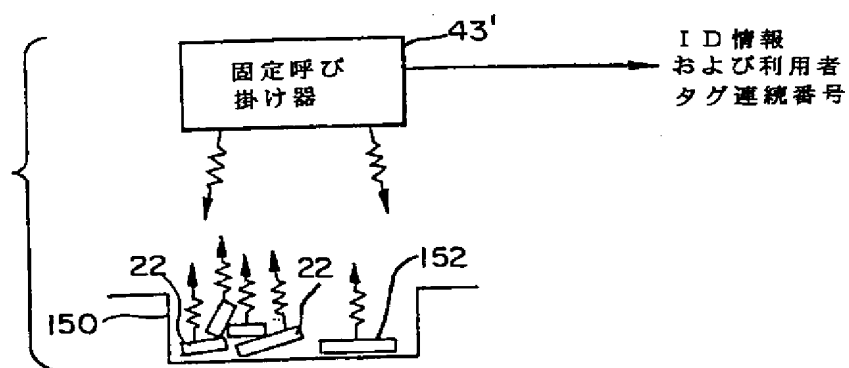
【図10】



【図11】



【図12】



【手続補正書】特許協力条約第34条補正の翻訳文提出書

【提出日】平成12年1月24日(2000. 1. 24)

【手続補正1】

【補正対象書類名】明細書

【補正対象項目名】特許請求の範囲

【補正方法】変更

【補正内容】

【特許請求の範囲】

【請求項1】蓄積(保管)領域に保有される物品と連係して用いられるインベントリー管理システムであって、その物品の各々は、それに付着される無線周波数タグを有し、各タグには、呼び掛け信号を受信し、そして応答信号を返信することによって、その物品の存在を検出するのに用いられるアンテナおよび、そのアンテナに接続され、物品識別情報を蓄積し、かつ前記タグの呼び掛けへの応答信号で、その物品識別情報を出力する集積回路が含まれており、

(a) 前記蓄積領域から、移動されかつその蓄積領域に返却されるべき物品を受け取り、呼び掛け領域及び返却物品を保持する収集容器とを含み、その物品が返却されるときそのゾーンを通過し収集容器に入る少なくとも一つの物品返却領域とを有し、そこでは複数の物品が同時にそのゾーン内に存在でき、

(b) 前記ゾーン内でのタグの存在によって引き起こされる応答信号の形で、前記ゾーン内のじょう乱(ディスタージャンプ)をモニターする呼び掛け器であって、それはそのゾーンで1つ以上のタグが検出されるとき、実質的に同時に各物品に呼び掛け、その呼び掛け器はそのゾーンで検出された各タグに呼び掛け出力信号を出力し、各呼び掛け出力信号には、呼び掛けられたタグの集積回路に蓄積される識別情報が含まれているところの前記呼び掛け器と、

(c) 前記呼び掛け器出力信号を受信するデータベースであって、チェックアウト状態データが含まれる前記システムによってモニターされる物品についてのインベントリー・データが含まれていて、その受信された呼び掛け器出力信号は、そのチェックアウト状態データを更新するために用いられる前記データベースと、

を具備する前記システム。

【請求項2】 利用者がチェックアウトを利用できる図書館と関連する物品を前記システムが追跡し、かつ前記蓄積領域が図書館の棚を具備する、請求項1に記載のシステム。

【請求項3】 前記物品返却領域が、図書館の図書返却箱である、請求項2に記載のシステム。

【請求項4】 前記データベースには、前記システムによってモニターされる物品についての蓄積領域位置データが含まれる請求項1に記載のシステム。

【請求項5】 前記データベースと通信を行うコンピューターであって、前記物品返却領域中の物品についての前記蓄積領域位置のレポートを発生する手段が含まれ、そのレポートは、物品を前記蓄積領域のそれぞれ適切な位置への返却を容易にする前記コンピューターをさらに具備する請求項4に記載のシステム。

【請求項6】 前記システムが図書館と関連する物品を追跡し、かつ前記少なくとも一つの物品返却領域がその図書館内にあって、前記インベントリ・データには、さらに物品利用データが含まれる請求項1に記載のシステム。

【請求項7】 蓄積（保管）領域に保有される物品と連係して用いられるインベントリ管理方法であって、それら物品の各々は、それに付着される無線周波数タグを有しており、各タグには、呼び掛け信号を受信し、そして応答信号を返信することによって、その物品の存在を検出するのに用いられるアンテナおよび、そのアンテナに接続され、物品識別情報を蓄積し、かつ前記タグの呼び掛けへの応答信号で、その物品識別情報を出力する集積回路が含まれており、

(a) 前記蓄積領域の一部を移動可能な呼び掛け器でスキャンし、その移動可能な呼び掛け器は、その呼び掛け器から延びる所定のゾーン内にタグの存在によって引き起こされる応答信号の形でのじょう乱を検出し、かつそのゾーンにおいてタグが検出されるとき、呼び掛け器出力信号を出力し、各呼び掛け器出力信号には、呼び掛けられたタグの集積回路に蓄積される識別情報が含まれ、蓄積領域のその部分に位置している複数の物品が同時的にスキャンされるステップと、

(b) 前記蓄積領域の隣り合った部分について、かつ前記蓄積領域の残り全て

の部分についてステップ（a）を繰り返すステップと、

（c）データベースにおいて前記呼び掛け器出力信号を受信し、そのデータベースには、前記蓄積領域中に保有される物品についてのインベントリー・データが含まれ、タグを付けた物品から得られたその受信された呼び掛け器出力信号のみを用いて、そのインベントリー・データが更新されるのに用いられるステップと、

（d）受信した呼び掛け器出力信号とインベントリー・データとを用いて、特定のスキヤニングした部分にある物品がそのスキヤニングされた部分に属する物品の範囲の外にあるかどうかを判定するステップと、

（e）その物品が誤った位置に置かれていることの信号を出すステップと、  
を具備する前記方法。

【請求項8】 蓄積領域に保有される物品と連係して用いられる図書館インベントリー管理システムであって、その物品の各々は、それに付着される無線周波数タグを有し、各タグには、呼び掛け信号を受信し、そして応答信号を返信することによって、その物品の存在を検出するのに用いられるアンテナ、およびそのアンテナに接続され、物品識別情報を蓄積し、かつ前記タグの呼び掛けへの前記応答信号で、その物品識別情報を出力する集積回路とが含まれており、

そのシステムは

（a）前記図書館の物品のリスト、およびそれら物品の各々の貸し出し状態が含まれるインベントリー・データベースと、

（b）別個の部分部分で前記蓄積領域をスキヤニングし、前記呼び掛け器から延びている所定のゾーン内でのタグの存在によって引き起こされる応答信号の形でじょう乱を検出し、かつそのゾーンで検出された各タグについて呼び掛け器出力信号を出力し、前記別個の部分部分に位置する複数の物品が同時的にスキヤニングでき、各呼び掛け器出力信号には、呼び掛けられるタグの集積回路に蓄積される識別情報が含まれており、前記インベントリー・データベースは、識別情報を受信して、そしてそこに蓄積されている物品の貸し出し状態を、前記呼び掛けられたタグ付き物品から得られた情報のみを用いて更新するところの移動可能な呼び掛け器と、

を具備する前記システム。

【請求項9】 前記タグが、物理的に非活性化することができないタグである請求項8に記載のシステム。

【請求項10】 利用者がチェックアウトをするのに利用できる物品を有する図書館の為のセルフサービスのチェックイン・システムであって、それらの各物品はそれに付着された無線周波数タグを有し、各タグには呼び掛け信号を受信しそして応答信号を返すことにより物品の存在を検出する為に用いるアンテナと、アンテナに接続され、物品識別情報を蓄積し、タグの呼び掛けに対する応答信号と共に物品識別情報を出力する為の集積回路を含み、

前記のシステムは、

複数の物品を保持するトレーと、

返却物品を保持する収集容器と、

前記トレー上に保持された物品がゲート解放時に通過し収集容器に入るようにしたゲートと、

前記トレー上に置かれた利用者が返却したい複数の物品に実質的に同時に呼び掛けする呼び掛け器であって、その呼び掛け器は返却される複数の物品のそれぞれに対応する保管物品識別情報を含む応答信号を受信し、その呼び掛け器は物品の配置方向に関係なく応答信号を受信し、各物品から受容可能な応答信号を受信するとゲートを開放する呼び掛け器と、

図書館内の物品及び各物品の貸し出し状況を含むインベントリー・データベースであって、返却される物品のそれぞれに対応する物品識別情報を受信するデータベースと、

返却される物品の貸し出し状況を更新する為のデータベースと通信しているプロセッサ

を具備するセルフサービスのチェックインシステム。

【請求項11】 無線周波数識別タグを具備する利用者識別（ID）カードを更に具備するシステムであって、その利用者IDカードは電子的に記憶された識別情報を含み、その利用者IDカードは、前記トレーに置かれ返却される物品と実質的に同時に呼び掛けされる請求項10に記載のシステム。

【請求項12】 データベースが以前にチェックアウトされたどの物品でもその物品に対応する利用者IDを記憶するフィールドを含む請求項11に記載のシステム。

【請求項13】 チェックアウト領域の画像を取得し、取得した画像のビデオ信号を出力するビデオカメラと、

ビデオ蓄積媒体にビデオ信号を蓄積するビデオ記録器  
を更に具備する請求項10に記載のシステム。

【請求項14】 蓄積領域に保管されている物品に関連して用いる図書館インベントリー管理システムであって、各物品は無線周波数タグが取り付けられており、各タグは呼び掛け信号を受信し応答信号を返すことにより物品の存在を検出する為に用いるアンテナと、アンテナに接続され、物品識別情報を記憶し、呼び掛け器によるタグへの呼び掛けに対する応答信号と共に物品識別情報を出力する為の集積回路を含んでおり、

図書館内の前記物品のリスト及び各物品の貸し出し状況を含むインベントリー・データベースと、

システムに対し利用者を識別する利用者識別デバイスと、

物品チェックアウト領域に配置された物品チェックアウトシステムであって、そのチェックアウトシステムは前記利用者が蓄積領域からチェックアウトしたい物品を尋問するための第1の呼び掛け器を含み、第1の呼び掛け器は持ち出される物品に対応する蓄積物品識別情報を含む応答信号を受信する物品チェックアウトシステム、

第1の呼び掛け器及びデータベースと通信しているプロセッサであって、プロセッサは第1の呼び掛け器よりチェックアウトされる物品に対応する利用者識別情報及び物品識別情報を受信し、チェックアウトされる物品の貸し出し状況に関してインベントリー・データベースを更新するプロセッサ、

蓄積領域から持ち出されまた蓄積領域に返却される物品を受け取る為の少なくとも1つの物品返却区域を含む物品チェックインシステムであって、物品返却領域は呼び掛けチェックイン領域及び返却物品を蓄積する収集容器を含み、各返却物品は物品が返却される都度チェックインゾーンを通過して収集容器に入り、そ



のゾーンには複数の物品を同時に置くことができる物品チェックインシステムと、

プロセッサと通信している第2の呼び掛け器であって、それは前記ゾーン内のタグの存在によって引き起こされる応答信号の形式におけるじょう乱を検出する為にチェックインゾーンを監視し、そのゾーン内の各物品に同時に呼び掛けをし、そのゾーン内で検知された各タグ毎の呼び掛け器出力信号を出力する呼び掛け器であり、各呼び掛け器出力信号は返却される物品に対応する呼び掛けられたタグの集積回路に蓄積（記憶）された識別情報を含み、インベントリー・データベースがその呼び掛け器出力信号を受信して返却される物品のチェックアウト状況を更新する第2の呼び掛け器、

を具備するシステム。

【請求項15】 さらに、

前記蓄積領域からの出口をモニターする出口呼び掛け器であって、その出口呼び掛け器は、その出口を通過し、そしてそれによって前記蓄積領域から取り去られる物品に呼び掛けをし、その物品と関連するタグからの応答信号を受信し、その応答信号は、前記出口を通過する物品についての蓄積された物品識別情報を収容している前記出口呼び掛け器、

を具備する請求項14に記載のシステム。

【請求項16】 さらに、前記出口呼び掛け器に結合される出口プロセッサを具備しており、そのプロセッサは、前記応答信号の識別情報が含まれる前記出口呼び掛け器から出力信号を受信し、そのプロセッサは、その受信された識別情報を、前記データベース中に蓄積される情報と比較して、前記物品がチェックアウトされるときに、その中に記録されているかどうか確認する請求項15に記載のシステム。

【請求項17】 前記出口を通過する物品が、チェックアウトされるときに前記データベースに記録されていないならば、前記出口呼び掛け器がアラームを作動させる請求項16に記載のシステム。

【請求項18】 前記図書館には定期刊行物ルームが含まれていて、前記システムはさらに、その定期刊行物ルームの出口に位置し、そこからタグの付いた

物品が取り去られることを検出するゾーン呼び掛け器を具備する請求項14に記載のシステム。

【請求項19】 前記ゾーン呼び掛け器は、前記定期刊行物ルームからの物品の取り去りの検出に応答して、アラームを作動させる請求項18に記載のシステム。

【請求項20】 別個の部分部分で前記蓄積領域をスキャンする移動可能な呼び掛け器であって、その移動可能な呼び掛け器から延びる所定のゾーン内でのタグの存在によって引き起こされる応答信号の形でじょう乱を検出し、かつ、そのゾーンでタグが検出されるとき、呼び掛け器出力信号を出力し、呼び掛け器の各出力信号には、呼び掛けられたタグの集積回路中に蓄積される識別情報が含まれ、前記データベースは、その識別情報を受信し、そしてその情報でその中に蓄積される物品の貸し出し状態を更新する前記移動可能な呼び掛け器、

をさらに具備する請求項14に記載のシステム。

【請求項21】 さらに、

前記チェックアウト領域の画像をとらえ、そしてそのとらえた画像のビデオ信号を出力するビデオ・カメラと、

前記ビデオ信号をビデオ蓄積媒体上に蓄積するビデオ記録器と

を具備する請求項14に記載のシステム。

【請求項22】 タグが物理的に非活性化することができないタグである請求項14に記載のシステム。

【請求項23】 図書館に保有される物品と連係して用いられる図書館インベントリー管理システムであって、それら物品の各々は、それに付着される無線周波数タグを有し、各タグには、呼び掛け信号を受信し、そして応答信号を返信することによって、その物品の存在を検出するのに用いられるアンテナ、およびそのアンテナに接続され、物品識別情報を蓄積（記憶）し、かつ呼び掛け器による前記タグの呼び掛けへの前記応答信号で、前記物品識別情報を出力する集積回路とが含まれていて、

前記図書館における物品のリスト、およびその各物品の貸し出し状態が含まれるインベントリー・データベースと、

前記システムに利用者を識別させる利用者識別デバイスと、

前記図書館の物品チェックアウト領域に位置する物品チェックアウト・システムであって、前記利用者が前記図書館から取り去りたいと思う物品に呼び掛ける第1の呼び掛け器であって、その取り去られるべき物品についての蓄積された物品識別情報を収容する応答信号を受信する前記第1の呼び掛け器が含まれる前記チェックアウト・システムと、

前記第1の呼び掛け器および前記データベースと通信を行うプロセッサであって、前記利用者識別情報、および前記第1の呼び掛け器からの前記取り去られるべき物品についての物品識別情報とを受け取り、かつその取り去られるべき物品の貸し出し状態を備えた前記インベントリ・データベースを更新する前記プロセッサと、

前記チェックアウト領域の画像をとらえ、そしてそのとらえた画像のビデオ信号を出力するビデオ・カメラと、

前記ビデオ信号をビデオ蓄積媒体上に蓄積するビデオ記録器と、

前記図書館から取り去られていた物品を受け取り、各返却される物品が、その物品が返却されるときチェックイン・ゾーンを通過する、少なくとも一つの物品返却領域が含まれる物品チェックイン・システムと、

前記インベントリ・データベースと通信を行う第2の呼び掛け器であって、前記ゾーン内でのタグの存在によって引き起こされる応答信号の形で、前記チェックイン・ゾーンのじょう乱をモニターし、かつそのゾーンでタグが検出されるとき呼び掛け器出力信号を出力し、各呼び掛け器出力信号には、返却されつつある物品について呼び掛けられたタグの集積回路中に蓄積される識別情報が含まれており、前記インベントリ・データベースは、前記呼び掛け器出力信号を受信し、そしてその呼び掛け器出力信号を用いて、その返却されつつある物品のチェックアウト状態を更新する前記第2の呼び掛け器と、

前記図書館の別個の部分部分をスキャニングする移動可能な呼び掛け器であって、その移動可能な呼び掛け器から延びる所定のゾーン内でのタグの存在によって引き起こされる応答信号の形でじょう乱を検出し、かつそのゾーンでタグが検出されるとき、呼び掛け器出力信号を出力し、各呼び掛け器出力信号には、呼び

掛けられるタグの集積回路中に蓄積された識別情報が含まれており、前記データベースは、その識別情報を受信し、そしてその情報でその中に蓄積される物品の貸し出し状態を更新する前記移動可能な呼び掛け器と、

前記図書館からの出口をモニターする出口呼び掛け器であって、その出口呼び掛け器は、その出口を通過しそしてそれによって前記図書館から取り去られる物品に呼び掛け、その物品と関連するタグからの応答信号を受信し、その応答信号が前記出口を通過する物品についての蓄積される物品識別情報を収容している前記出口呼び掛け器と、

前記出口呼び掛け器に結合される出口プロセッサであって、その出口プロセッサは、前記応答信号の識別情報が含まれる前記出口呼び掛け器からの出力信号を受信し、その受信された識別情報を前記データベースに蓄積された情報と比較して、その物品がチェックアウトされるときにその中に記録されているかどうかを確認し、もしその出口を通過する物品が、チェックアウトされるときに前記データベースに記録されていないならば、前記出口呼び掛け器がアラームを作動させる前記出口プロセッサと、

前記図書館の所定領域の出口に位置するゾーン呼び掛け器であって、そのゾーン呼び掛け器は、その所定領域からのタグの付いた物品の取り去りを検出し、その所定領域からの物品の取り去りの検出に応答して、アラームを作動させる前記ゾーン呼び掛け器と、

を具備する前記システム。

【請求項24】 蓄積（保管）領域に保有される物品と関係して用いられるインベントリ管理方法であって、それら物品の各々は、それに付着される無線周波数タグを有しており、各タグには、呼び掛け信号を受信し、そして応答信号を返信することによって、その物品の存在を検出するのに用いられるアンテナおよび、そのアンテナに接続され、物品識別情報を蓄積し、かつ前記タグの呼び掛けへの応答信号で、その物品識別情報を出力する集積回路が含まれており、

(a) 前記蓄積領域の一部を移動可能な呼び掛け器でスキャンし、その移動可能な呼び掛け器は、その呼び掛け器から延びる所定のゾーン内にタグの存在によって引き起こされる応答信号の形でのじょう乱を検出し、かつそのゾーンに

においてタグが検出されるとき、呼び掛け器出力信号を出力し、各呼び掛け器出力信号には、呼び掛けられたタグの集積回路に蓄積される識別情報が含まれ、蓄積領域のその部分に位置している複数の物品が同時的にスキャンされるステップと、

(b) 前記蓄積領域の隣り合った部分について、かつ前記蓄積領域の残り全ての部分についてステップ(a)を繰り返すステップと、

(c) データベースにおいて前記呼び掛け器出力信号を受信し、そのデータベースには、前記蓄積領域中に保有される物品についてのインベントリー・データが含まれ、タグを付けた物品が得られたその受信された呼び掛け器出力信号のみを用いて、そのインベントリー・データが更新されるのに用いられるステップと、

を具備する前記方法。

【請求項25】 前記蓄積領域は、図書館において棚の列を具備し、ステップ(a)が、前記棚の順次連続的に隣り合う部分をスキャンすることによって、各棚をスキャンすることを具備する請求項7に記載の方法。

【請求項26】 利用者がチェックアウトをするのに利用できる物品を有する図書館のためのセルフ・サービスのチェックアウト・システムであって、それら物品の各々は、それに付着される無線周波数タグを有し、各タグには、呼び掛け信号を受信し、そして応答信号を返信することによって、その物品の存在を検出するのに用いられるアンテナ、およびそのアンテナに接続され、物品識別情報を蓄積し、かつ呼び掛け器による前記タグの呼び掛けへの応答信号で、その物品識別情報を出力する集積回路が含まれ、前記システムはまた、各々に無線周波数タグが含まれる複数の利用者識別カードを有しており、

そのシステムには

(a) 前記図書館のチェックアウト領域に位置し、利用者が借りたいと思う少なくとも一つの物品に呼び掛け、かつ実質的に同時に前記システムに利用者を識別させる利用者識別(ID)カードに呼び掛ける呼び掛け器であって、前記呼び掛け器は、借りられるべき物品の各々についての蓄積された物品識別情報、および前記IDカードからの利用者識別情報を収容する応答信号を受信し、前記物品

または利用者識別カードの向きに関わらず、前記応答信号を受信し、そして蓄積領域のその部分に位置している複数の物品が実質的に同時に複数のタグ付き物品からの応答信号を受けるところの前記呼び掛け器と、

(b) 前記図書館における物品のリスト、およびそれら物品の各々の貸し出し状態が含まれるインベントリ・データベースであって、前記利用者識別情報および前記借りられるべき物品の各々についての物品識別情報を受け取る前記データベースと、

(c) 前記借りられるべき物品の貸し出し状態を更新するために前記データベースと通信を行うプロセッサと、

を具備する前記システム。

【請求項27】 さらに、

(d) 前記チェックアウト領域の画像をとらえ、そしてそのとらえた画像のビデオ信号を出力するビデオ・カメラと、

(e) 前記ビデオ信号をビデオ蓄積媒体に蓄積するビデオ記録器と、

を具備する請求項26に記載のシステム。

【請求項28】 前記タグが、物理的に非活性化することができないタグである請求項26に記載のシステム。

## 【國際調查報告】

INTERNATIONAL SEARCH REPORT		International application No. PCT/US98/14637
<b>A. CLASSIFICATION OF SUBJECT MATTER</b> IPC(6) : G08B 13/14 US CL : 340/572 According to International Patent Classification (IPC) or to both national classification and IPC		
<b>B. FIELDS SEARCHED</b> Minimum documentation searched (classification system followed by classification symbols) U.S. : 340/572, 235/380, 381 Documentation searched other than minimum documentation to the extent that such documents are included in the fields searched Electronic data base consulted during the international search (name of data base and, where practicable, search terms used)		
<b>C. DOCUMENTS CONSIDERED TO BE RELEVANT</b>		
Category*	Citation of document, with indication, where appropriate, of the relevant passages	Relevant to claim No.
X	US 4,688,026 A (SCRIBNER ET AL) 18 AUGUST 1987 (18.08.87) SEE ENTIRE DOCUMENT.	7
Y		5-6, 8, 10-11, 20 AND 28
X	US 5,288,980 A (PATEL ET AL) 22 FEBRUARY 1994 (22.02.94) SEE ENTIRE DOCUMENT.	1-4, 12, 14, 19, 22-25 AND 28
Y		5-6, 8, 10-11, 13, 15-18, 20-21 AND 26-28
Y	US 4,583,083 A (BOGASKY) 15 APRIL 1986 (15.04.86) SEE ENTIRE DOCUMENT.	13, 18, 21 AND 28
<input checked="" type="checkbox"/> Further documents are listed in the continuation of Box C. <input type="checkbox"/> See patent family annex.		
* Special categories of cited documents: *A* document defining the general state of the art which is not considered to be of particular relevance *B* earlier document published on or after the international filing date *C* document which may throw doubts on priority claim(s) or which is cited to establish the publication date of another citation or other special reason (as specified) *O* document referring to an oral disclosure, use, exhibition or other means *P* document published prior to the international filing date but later than the priority date claimed *T* later document published after the international filing date or priority date and not in conflict with the application but cited to understand the principle or theory underlying the invention *X* document of particular relevance, the claimed invention cannot be considered novel or cannot be considered to involve an inventive step when the document is taken alone *Y* document of particular relevance, the claimed invention cannot be considered to involve an inventive step when the document is combined with one or more other such documents, such combination being obvious to a person skilled in the art *Z* document member of the same patent family		
Date of the actual completion of the international search 19 AUGUST 1998		Date of mailing of the international search report <b>16 NOV 1998</b>
Name and mailing address of the ISA/US Commissioner of Patents and Trademarks Box PCT Washington, D.C. 20231 Facsimile No. (703) 305-3230		Authorized officer: <i>Jeffery A. Horsass</i> JEFFERY A. HORSASS Telephone No. (703) 305-4800

Form PCT/ISA/210 (second sheet) (July 1992) \*

## INTERNATIONAL SEARCH REPORT

International application No.  
PCT/US98/14637

C (Continuation). DOCUMENTS CONSIDERED TO BE RELEVANT		
Category*	Citation of document, with indication, where appropriate, of the relevant passages	Relevant to claim No.
Y	US 5,539,394 (CATO ET AL) 23 JULY 1996 (23.07.96) SEE ENTIRE DOCUMENT.	15-18
Y	US 5,260,690 A (MANN ET AL) 09 NOVEMBER 1993 (09.11.93) SEE ENTIRE DOCUMENT.	26-28
A,P	US 5,708,423 A (GHAFFARI) 13 JANUARY 1998 (13.01.98) SEE ENTIRE DOCUMENT.	1-28
A,P	US 5,689,238 A (CANNON, JR. ET AL) 18 NOVEMBER 1997 (18.11.97) SEE ENTIRE DOCUMENT.	1-28
A	US 5,602,538 A (ORTHMANN ET AL) 11 FEBRUARY 1997 (11.02.97) SEE ENTIRE DOCUMENT	1-28
A	US 5,541,585 A (DUHAME ET AL) 30 JULY 1996 (30.07.96) SEE ENTIRE DOCUMENT.	1-28
A	US 4,964,053 A (HUMBLE) 16 OCTOBER 1990 (16.10.90) SEE ENTIRE DOCUMENT.	1-28
A	US 4,862,160 A (EKCHIAN ET AL) 29 AUGUST 1989 (29.08.89) SEE ENTIRE DOCUMENT.	1-28

Form PCT/ISA/210 (continuation of second sheet)(July 1992) \*



フロントページの続き

(81) 指定国 EP(AT, BE, CH, CY, DE, DK, ES, FI, FR, GB, GR, IE, IT, LU, MC, NL, PT, SE), OA(BF, BJ, CF, CG, CI, CM, GA, GN, GW, ML, MR, NE, SN, TD, TG), AP(GH, GM, KE, LS, MW, SD, SZ, UG, ZW), EA(AM, AZ, BY, KG, KZ, MD, RU, TJ, TM), AL, AM, AT, AU, AZ, BA, BB, BG, BR, BY, CA, CH, CN, CU, CZ, DE, DK, EE, ES, FI, GB, GE, GH, GM, HR, HU, ID, IL, IS, JP, KE, KG, KP, KR, KZ, LC, LK, LR, LS, LT, LU, LV, MD, MG, MK, MN, MW, MX, NO, NZ, PL, PT, RO, RU, SD, SE, SG, SI, SK, SL, TJ, TM, TR, TT, UA, UG, UZ, VN, YU, ZW

(72) 発明者 クレア, トーマス, ジェイ.  
アメリカ合衆国, ペンシルベニア州, メ  
ディア, メディア ステーション ロード  
340, アパートメント C-216

Fターム(参考) 3F022 AA11 CC02 MM03 MM08 MM11  
MM70 PP04 QQ13  
5B035 BB09 BC00 CA23  
5B049 AA05 CC27 DD00 DD04 DD05  
EE23 FF03 FF04 FF09 GG03  
GG04 GG06 GG07  
5B058 CA15 CA23 KA02 KA04 KA13  
KA31 YA20

【要約の続き】

をとらえる。そのデータは、履歴使用レポートを生成するの  
に用いられる。貸し出しされない物品(22)は、図書館(10)の  
棚の上に蓄積される。その棚は、インベントリー状態を更  
新するためにRFIDスキャナーで定期的にスキャンされる。

【公報種別】特許法第17条の2の規定による補正の掲載  
 【部門区分】第2部門第7区分  
 【発行日】平成18年8月31日(2006. 8. 31)

【公表番号】特表2001-511427(P2001-511427A)  
 【公表日】平成13年8月14日(2001. 8. 14)  
 【出願番号】特願2000-504563(P2000-504563)  
 【国際特許分類】

B 6 5 G 1/137 (2006. 01)  
 G 0 6 K 17/00 (2006. 01)  
 G 0 6 Q 50/00 (2006. 01)  
 G 0 6 K 19/00 (2006. 01)

【F I】

B 6 5 G 1/137 A  
 G 0 6 K 17/00 L  
 G 0 6 F 17/60 1 2 8  
 G 0 6 K 19/00 Q

【手続補正書】

【提出日】平成18年7月7日(2006. 7. 7)

【手続補正1】

【補正対象書類名】明細書

【補正対象項目名】特許請求の範囲

【補正方法】変更

【補正の内容】

【特許請求の範囲】

【請求項1】蓄積(保管)領域に保有される物品と連係して用いられるインベントリー管理システムであって、その物品の各々は、それに付着される無線周波数タグを有し、各タグには、呼び掛け信号を受信し、そして応答信号を返信することによって、その物品の存在を検出するのに用いられるアンテナおよび、そのアンテナに接続され、物品識別情報を蓄積し、かつ前記タグの呼び掛けへの応答信号で、その物品識別情報を出力する集積回路が含まれており、

(a) 前記蓄積領域から、移動されかつその蓄積領域に返却されるべき物品を受け取り、呼び掛け領域及び返却物品を保持する収集容器とを含み、その物品が返却されるときそのゾーンを通過し収集容器に入る少なくとも一つの物品返却領域とを有し、そこでは複数の物品が同時にそのゾーン内に存在でき、

(b) 前記ゾーン内でのタグの存在によって引き起こされる応答信号の形で、前記ゾーン内のじょう乱(ディスターバンス)をモニターする呼び掛け器であって、それはそのゾーンで1つ以上のタグが検出されるとき、実質的に同時に各物品に呼び掛け、その呼び掛け器はそのゾーンで検出された各タグに呼び掛け出力信号を出力し、各呼び掛け出力信号には、呼び掛けられたタグの集積回路に蓄積される識別情報が含まれているところの前記呼び掛け器と、

(c) 前記呼び掛け器出力信号を受信するデータベースであって、チェックアウト状態データが含まれる前記システムによってモニターされる物品についてのインベントリー・データが含まれていて、その受信された呼び掛け器出力信号は、そのチェックアウト状態データを更新するために用いられる前記データベースと、  
 を具備する前記システム。

【請求項2】利用者がチェックアウトを利用できる図書館と関連する物品を前記システムが追跡し、かつ前記蓄積領域が図書館の棚を具備する、請求項1に記載のシステム。

【請求項3】前記物品返却領域が、図書館の図書返却箱である、請求項2に記載のシステ

ム。

【請求項 4】前記データベースには、前記システムによってモニターされる物品についての蓄積領域位置データが含まれる請求項 1 に記載のシステム。

【請求項 5】前記データベースと通信を行うコンピューターであって、前記物品返却領域中の物品についての前記蓄積領域位置のレポートを発生する手段が含まれ、そのレポートは、物品を前記蓄積領域のそれぞれ適切な位置への返却を容易にする前記コンピューターをさらに具備する請求項 4 に記載のシステム。

【請求項 6】前記システムが図書館と関連する物品を追跡し、かつ前記少なくとも一つの物品返却領域がその図書館内にあって、前記インベントリー・データには、さらに物品利用データが含まれる請求項 1 に記載のシステム。

【請求項 7】蓄積（保管）領域に保有される物品と連係して用いられるインベントリー管理方法であって、それら物品の各々は、それに付着される無線周波数タグを有しており、各タグには、呼び掛け信号を受信し、そして応答信号を返信することによって、その物品の存在を検出するのに用いられるアンテナおよび、そのアンテナに接続され、物品識別情報を蓄積し、かつ前記タグの呼び掛けへの応答信号で、その物品識別情報を出力する集積回路が含まれており、

(a) 前記蓄積領域の一部を移動可能な呼び掛け器でスキャニングし、その移動可能な呼び掛け器は、その呼び掛け器から延びる所定のゾーン内にタグの存在によって引き起こされる応答信号の形でじょう乱を検出し、かつそのゾーンにおいてタグが検出されるとき、呼び掛け器出力信号を出力し、各呼び掛け器出力信号には、呼び掛けられたタグの集積回路に蓄積される識別情報が含まれ、蓄積領域のその部分に位置している複数の物品が同時にスキャニングされるステップと、

(b) 前記蓄積領域の隣り合った部分について、かつ前記蓄積領域の残り全ての部分についてステップ (a) を繰り返すステップと、

(c) データベースにおいて前記呼び掛け器出力信号を受信し、そのデータベースには、前記蓄積領域中に保有される物品についてのインベントリー・データが含まれ、タグを付けた物品から得られたその受信された呼び掛け器出力信号のみを用いて、そのインベントリー・データが更新されるのに用いられるステップと、

(d) 受信した呼び掛け器出力信号とインベントリー・データとを用いて、特定のスキャニングした部分にある物品がそのスキャニングされた部分に属する物品の範囲の外にあるかどうかを判定するステップと、

(e) その物品が誤った位置に置かれていることの信号を出すステップと、  
を具備する前記方法。

【請求項 8】蓄積領域に保有される物品と連係して用いられる図書館インベントリー管理システムであって、その物品の各々は、それに付着される無線周波数タグを有し、各タグには、呼び掛け信号を受信し、そして応答信号を返信することによって、その物品の存在を検出するのに用いられるアンテナ、およびそのアンテナに接続され、物品識別情報を蓄積し、かつ前記タグの呼び掛けへの前記応答信号で、その物品識別情報を出力する集積回路とが含まれており、

そのシステムは

(a) 前記図書館の物品のリスト、およびそれら物品の各々の貸し出し状態が含まれるインベントリー・データベースと、

(b) 別個の部分部分で前記蓄積領域をスキャニングし、前記呼び掛け器から延びている所定のゾーン内でのタグの存在によって引き起こされる応答信号の形でじょう乱を検出し、かつそのゾーンで検出された各タグについて呼び掛け器出力信号を出力し、前記別個の部分部分に位置する複数の物品が同時にスキャニングでき、各呼び掛け器出力信号には、呼び掛けられるタグの集積回路に蓄積される識別情報が含まれており、前記インベントリー・データベースは、識別情報を受信して、そしてそこに蓄積されている物品の貸し出し状態を、前記呼び掛けられたタグ付き物品から得られた情報のみを用いて更新するところの移動可能な呼び掛け器と、

を具備する前記システム。

【請求項 9】前記タグが、物理的に非活性化することができないタグである請求項 8 に記載のシステム。

【請求項 10】利用者がチェックアウトをするのに利用できる物品を有する図書館の為のセルフサービスのチェックイン・システムであって、それらの各物品はそれに付着された無線周波数タグを有し、各タグには呼び掛け信号を受信しそして応答信号を返すことにより物品の存在を検出する為に用いるアンテナと、アンテナに接続され、物品識別情報を蓄積し、タグの呼び掛けに対する応答信号と共に物品識別情報を出力する為の集積回路を含み、

前記のシステムは、

複数の物品を保持するトレーと、

返却物品を保持する収集容器と、

前記トレー上に保持された物品がゲート解放時に通過し収集容器に入るようにしたゲートと、

前記トレー上に置かれた利用者が返却したい複数の物品に実質的に同時に呼び掛けする呼び掛け器であって、その呼び掛け器は返却される複数の物品のそれぞれに対応する保管物品識別情報を含む応答信号を受信し、その呼び掛け器は物品の配置方向に関係なく応答信号を受信し、各物品から受容可能な応答信号を受信するとゲートを開放する呼び掛け器と、

図書館内の物品及び各物品の貸し出し状況を含むインベントリー・データベースであって、返却される物品のそれぞれに対応する物品識別情報を受信するデータベースと、

返却される物品の貸し出し状況を更新する為のデータベースと通信しているプロセッサ

を具備するセルフサービスのチェックインシステム。

【請求項 11】無線周波数識別タグを具備する利用者識別 (ID) カードを更に具備するシステムであって、その利用者 ID カードは電子的に記憶された識別情報を含み、その利用者 ID カードは、前記トレーに置かれ返却される物品と実質的に同時に呼び掛けされる請求項 10 に記載のシステム。

【請求項 12】データベースが以前にチェックアウトされたどの物品でもその物品に対応する利用者 ID を記憶するフィールドを含む請求項 11 に記載のシステム。

【請求項 13】チェックアウト領域の画像を取得し、取得した画像のビデオ信号を出力するビデオカメラと、

ビデオ蓄積媒体にビデオ信号を蓄積するビデオ記録器

を更に具備する請求項 10 に記載のシステム。

【請求項 14】蓄積領域に保管されている物品に関連して用いる図書館インベントリー管理システムであって、各物品は無線周波数タグが取り付けられており、各タグは呼び掛け信号を受信し応答信号を返すことにより物品の存在を検出する為に用いるアンテナと、アンテナに接続され、物品識別情報を記憶し、呼び掛け器によるタグへの呼び掛けに対する応答信号と共に物品識別情報を出力する為の集積回路を含んでおり、

図書館内の前記物品のリスト及び各物品の貸し出し状況を含むインベントリー・データベースと、

システムに対し利用者を識別する利用者識別デバイスと、

物品チェックアウト領域に配置された物品チェックアウトシステムであって、そのチェックアウトシステムは前記利用者が蓄積領域からチェックアウトしたい物品を尋問するための第 1 の呼び掛け器を含み、第 1 の呼び掛け器は持ち出される物品に対応する蓄積物品識別情報を含む応答信号を受信する物品チェックアウトシステム、

第 1 の呼び掛け器及びデータベースと通信しているプロセッサであって、プロセッサは第 1 の呼び掛け器よりチェックアウトされる物品に対応する利用者識別情報及び物品識別情報を受信し、チェックアウトされる物品の貸し出し状況に関してインベントリー・データベースを更新するプロセッサ、

蓄積領域から持ち出されまた蓄積領域に返却される物品を受け取る為の少なくとも1つの物品返却区域を含む物品チェックインシステムであって、物品返却領域は呼び掛けチェックイン領域及び返却物品を蓄積する収集容器を含み、各返却物品は物品が返却される都度チェックインゾーンを通過して収集容器に入り、そのゾーンには複数の物品を同時に置くことができる物品チェックインシステムと、

プロセッサと通信している第2の呼び掛け器であって、それは前記ゾーン内のタグの存在によって引き起こされる応答信号の形式におけるじょう乱を検出する為にチェックインゾーンを監視し、そのゾーン内の各物品に同時に呼び掛けをし、そのゾーン内で検知された各タグ毎の呼び掛け器出力信号を出力する呼び掛け器であり、各呼び掛け器出力信号は返却される物品に対応する呼び掛けられたタグの集積回路に蓄積（記憶）された識別情報を含み、インベントリ・データベースがその呼び掛け器出力信号を受信して返却される物品のチェックアウト状況を更新する第2の呼び掛け器、を具備するシステム。

【請求項15】さらに、

前記蓄積領域からの出口をモニターする出口呼び掛け器であって、その出口呼び掛け器は、その出口を通過し、そしてそれによって前記蓄積領域から取り去られる物品に呼び掛けをし、その物品と関連するタグからの応答信号を受信し、その応答信号は、前記出口を通過する物品についての蓄積された物品識別情報を収容している前記出口呼び掛け器、を具備する請求項14に記載のシステム。

【請求項16】さらに、前記出口呼び掛け器に結合される出口プロセッサを具備しており、そのプロセッサは、前記応答信号の識別情報が含まれる前記出口呼び掛け器から出力信号を受信し、そのプロセッサは、その受信された識別情報を、前記データベース中に蓄積される情報と比較して、前記物品がチェックアウトされるときに、その中に記録されているかどうかを確認する請求項15に記載のシステム。

【請求項17】前記出口を通過する物品が、チェックアウトされるときに前記データベースに記録されていないならば、前記出口呼び掛け器がアラームを作動させる請求項16に記載のシステム。

【請求項18】前記図書館には定期刊行物ルームが含まれていて、前記システムはさらに、その定期刊行物ルームの出口に位置し、そこからタグの付いた物品が取り去られることを検出するゾーン呼び掛け器を具備する請求項14に記載のシステム。

【請求項19】前記ゾーン呼び掛け器は、前記定期刊行物ルームからの物品の取り去りの検出にตอบสนองして、アラームを作動させる請求項18に記載のシステム。

【請求項20】別個の部分部分で前記蓄積領域をスキャニングする移動可能な呼び掛け器であって、その移動可能な呼び掛け器から延びる所定のゾーン内でのタグの存在によって引き起こされる応答信号の形でじょう乱を検出し、かつ、そのゾーンでタグが検出される時、呼び掛け器出力信号を出力し、呼び掛け器の各出力信号には、呼び掛けられたタグの集積回路中に蓄積される識別情報が含まれ、前記データベースは、その識別情報を受信し、そしてその情報でその中に蓄積される物品の貸し出し状態を更新する前記移動可能な呼び掛け器、

をさらに具備する請求項14に記載のシステム。

【請求項21】さらに、

前記チェックアウト領域の画像をとらえ、そしてそのとらえた画像のビデオ信号を出力するビデオ・カメラと、

前記ビデオ信号をビデオ蓄積媒体上に蓄積するビデオ記録器とを具備する請求項14に記載のシステム。

【請求項22】タグが物理的に非活性化することができないタグである請求項14に記載のシステム。

【請求項23】図書館に保有される物品と関係して用いられる図書館インベントリ管理システムであって、それら物品の各々は、それに付着される無線周波数タグを有し、各タグには、呼び掛け信号を受信し、そして応答信号を返信することによって、その物品の存

在を検出するのに用いられるアンテナ、およびそのアンテナに接続され、物品識別情報を蓄積（記憶）し、かつ呼び掛け器による前記タグの呼び掛けへの前記応答信号で、前記物品識別情報を出力する集積回路とが含まれていて、

前記図書館における物品のリスト、およびその各物品の貸し出し状態が含まれるインベントリー・データベースと、

前記システムに利用者を識別させる利用者識別デバイスと、

前記図書館の物品チェックアウト領域に位置する物品チェックアウト・システムであって、前記利用者が前記図書館から取り去りたいと思う物品に呼び掛ける第1の呼び掛け器であって、その取り去られるべき物品についての蓄積された物品識別情報を収容する応答信号を受信する前記第1の呼び掛け器が含まれる前記チェックアウト・システムと、

前記第1の呼び掛け器および前記データベースと通信を行うプロセッサであって、前記利用者識別情報、および前記第1の呼び掛け器からの前記取り去られるべき物品についての物品識別情報とを受け取り、かつその取り去られるべき物品の貸し出し状態を備えた前記インベントリー・データベースを更新する前記プロセッサと、

前記チェックアウト領域の画像をとらえ、そしてそのとらえた画像のビデオ信号を出力するビデオ・カメラと、

前記ビデオ信号をビデオ蓄積媒体上に蓄積するビデオ記録器と、

前記図書館から取り去られていた物品を受け取り、各返却される物品が、その物品が返却されるときチェックイン・ゾーンを通過する、少なくとも一つの物品返却領域が含まれる物品チェックイン・システムと、

前記インベントリー・データベースと通信を行う第2の呼び掛け器であって、前記ゾーン内でのタグの存在によって引き起こされる応答信号の形で、前記チェックイン・ゾーンのじょう乱をモニターし、かつそのゾーンでタグが検出されるとき呼び掛け器出力信号を出力し、各呼び掛け器出力信号には、返却されつつある物品について呼び掛けられたタグの集積回路中に蓄積される識別情報が含まれており、前記インベントリー・データベースは、前記呼び掛け器出力信号を受信し、そしてその呼び掛け器出力信号を用いて、その返却されつつある物品のチェックアウト状態を更新する前記第2の呼び掛け器と、

前記図書館の別個の部分部分をスキャニングする移動可能な呼び掛け器であって、その移動可能な呼び掛け器から延びる所定のゾーン内でのタグの存在によって引き起こされる応答信号の形でじょう乱を検出し、かつそのゾーンでタグが検出されるとき、呼び掛け器出力信号を出力し、各呼び掛け器出力信号には、呼び掛けられるタグの集積回路中に蓄積された識別情報が含まれており、前記データベースは、その識別情報を受信し、そしてその情報でその中に蓄積される物品の貸し出し状態を更新する前記移動可能な呼び掛け器と、

前記図書館からの出口をモニターする出口呼び掛け器であって、その出口呼び掛け器は、その出口を通過しそしてそれによって前記図書館から取り去られる物品に呼び掛け、その物品と関連するタグからの応答信号を受信し、その応答信号が前記出口を通過する物品についての蓄積される物品識別情報を収容している前記出口呼び掛け器と、

前記出口呼び掛け器に結合される出口プロセッサであって、その出口プロセッサは、前記応答信号の識別情報が含まれる前記出口呼び掛け器からの出力信号を受信し、その受信された識別情報を前記データベースに蓄積された情報と比較して、その物品がチェックアウトされるときにその中に記録されているかどうか確認し、もしその出口を通過する物品が、チェックアウトされるときに前記データベースに記録されていないならば、前記出口呼び掛け器がアラームを作動させる前記出口プロセッサと、

前記図書館の所定領域の出口に位置するゾーン呼び掛け器であって、そのゾーン呼び掛け器は、その所定領域からのタグの付いた物品の取り去りを検出し、その所定領域からの物品の取り去りの検出に応答して、アラームを作動させる前記ゾーン呼び掛け器と、を具備する前記システム。

【請求項24】蓄積（保管）領域に保有される物品と関係して用いられるインベントリー管理方法であって、それら物品の各々は、それに付着される無線周波数タグを有しており

、各タグには、呼び掛け信号を受信し、そして応答信号を返信することによって、その物品の存在を検出するのに用いられるアンテナおよび、そのアンテナに接続され、物品識別情報を蓄積し、かつ前記タグの呼び掛けへの応答信号で、その物品識別情報を出力する集積回路が含まれており、

(a) 前記蓄積領域の一部を移動可能な呼び掛け器でスキャンし、その移動可能な呼び掛け器は、その呼び掛け器から延びる所定のゾーン内にタグの存在によって引き起こされる応答信号の形でのじょう乱を検出し、かつそのゾーンにおいてタグが検出されるとき、呼び掛け器出力信号を出力し、各呼び掛け器出力信号には、呼び掛けられたタグの集積回路に蓄積される識別情報が含まれ、蓄積領域のその部分に位置している複数の物品が同時にスキャンされるステップと、

(b) 前記蓄積領域の隣り合った部分について、かつ前記蓄積領域の残り全ての部分についてステップ(a)を繰り返すステップと、

(c) データベースにおいて前記呼び掛け器出力信号を受信し、そのデータベースには、前記蓄積領域中に保有される物品についてのインベントリ・データが含まれ、タグを付けた物品が得られたその受信された呼び掛け器出力信号のみを用いて、そのインベントリ・データが更新されるのに用いられるステップと、  
を具備する前記方法。

【請求項25】前記蓄積領域は、図書館において棚の列を具備し、ステップ(a)が、前記棚の順次連続的に隣り合う部分をスキャンすることによって、各棚をスキャンすることを具備する請求項7に記載の方法。

【請求項26】利用者がチェックアウトをするのに利用できる物品を有する図書館のためのセルフ・サービスのチェックアウト・システムであって、それら物品の各々は、それに付着される無線周波数タグを有し、各タグには、呼び掛け信号を受信し、そして応答信号を返信することによって、その物品の存在を検出するのに用いられるアンテナ、およびそのアンテナに接続され、物品識別情報を蓄積し、かつ呼び掛け器による前記タグの呼び掛けへの応答信号で、その物品識別情報を出力する集積回路が含まれ、前記システムはまた、各々に無線周波数タグが含まれる複数の利用者識別カードを有しており、そのシステムには

(a) 前記図書館のチェックアウト領域に位置し、利用者が借りたいと思う少なくとも一つの物品に呼び掛け、かつ実質的に同時に前記システムに利用者を識別させる利用者識別(ID)カードに呼び掛ける呼び掛け器であって、前記呼び掛け器は、借りられるべき物品の各々についての蓄積された物品識別情報、および前記IDカードからの利用者識別情報を収容する応答信号を受信し、前記物品または利用者識別カードの向きに関わらず、前記応答信号を受信し、そして蓄積領域のその部分に位置している複数の物品が実質的に同時に複数のタグ付き物品からの応答信号を受けるところの前記呼び掛け器と、

(b) 前記図書館における物品のリスト、およびそれら物品の各々の貸し出し状態が含まれるインベントリ・データベースであって、前記利用者識別情報および前記借りられるべき物品の各々についての物品識別情報を受け取る前記データベースと、

(c) 前記借りられるべき物品の貸し出し状態を更新するために前記データベースと通信を行うプロセッサと、  
を具備する前記システム。

【請求項27】さらに、

(d) 前記チェックアウト領域の画像をとらえ、そしてそのとらえた画像のビデオ信号を出力するビデオ・カメラと、

(e) 前記ビデオ信号をビデオ蓄積媒体に蓄積するビデオ記録器と、  
を具備する請求項26に記載のシステム。

【請求項28】前記タグが、物理的に非活性化することができないタグである請求項26に記載のシステム。

【請求項29】インベントリ管理システムにおいて使用されるRFIDタグであって、前記インベントリ管理システムは、蓄積領域から移動されていた物品であって前記蓄積

領域に返却される物品を受け取るための少なくとも一つの物品返却領域を含み、前記物品返却領域には、呼び掛けゾーンと、返却された物品を保持するための蓄積領域とを有し、前記返却された物品は、返却された際に前記ゾーンを通過し、前記蓄積領域に入り、複数の物品は前記ゾーン内に同時に存在可能であり、呼び掛け器によって、前記ゾーン内における一以上のタグの存在によって引き起こされる応答信号の形での擾乱について前記ゾーンをモニターし、前記呼び掛け器は、前記ゾーン内の各物品に実質的に同時に呼び掛けを行い、前記呼び掛け器は、前記ゾーンで検出された各タグについての呼び掛け器出力信号を出力し、前記呼び掛け器の各出力信号は、呼び掛けられるタグの集積回路に蓄積された識別情報を含み、前記呼び掛け器は、前記呼び掛け器の出力信号を受信するためのデータベースと結合可能であり、前記データベースは、前記システムによってモニターされる物品についてのインベントリー・データを含み、受信した呼び掛け器の出力信号は、各返却された物品の状態データを更新するために使用され、前記タグは、

呼び掛け信号を受信することによって前記物品の存在の検出し、応答信号を返すために用いるアンテナと、

前記アンテナと接続され、物品の識別情報を蓄積し、前記物品の識別情報を前記タグの呼び掛け信号についての応答信号で出力する集積回路と、  
を備えた、RFIDタグ。

【請求項30】前記タグは、物理的に非活性化できないタグである、請求項29に記載のRFIDタグ。

【請求項31】前記物品は、図書館の物品である、請求項29に記載のRFIDタグ。

【請求項32】インベントリー管理システムにおいて使用されるRFIDタグであって、前記インベントリー管理システムは、蓄積領域から移動されていた物品であって前記蓄積領域に返却される物品を受け取るための少なくとも一つの物品返却領域を含み、前記物品返却領域には、呼び掛けゾーンと、返却された物品を保持するための蓄積領域とを有し、前記返却された物品は、返却された際に前記ゾーンを通過し、前記蓄積領域に入り、複数の物品は前記ゾーン内に同時に存在可能であり、呼び掛け器によって、前記ゾーン内における一以上のタグの存在によって引き起こされる応答信号の形での擾乱について前記ゾーンをモニターし、前記呼び掛け器は、前記ゾーン内の各物品に実質的に同時に呼び掛けを行い、前記呼び掛け器は、前記ゾーンで検出された各タグについての呼び掛け器出力信号を出力し、前記呼び掛け器の各出力信号は、呼び掛けられるタグの集積回路に蓄積された識別情報を含み、前記呼び掛け器は、前記呼び掛け器の出力信号を受信するためのデータベースと結合可能であり、前記データベースは、前記システムによってモニターされる物品についてのインベントリー・データを含み、受信した呼び掛け器の出力信号は、各返却された物品の状態データを更新するために使用され、前記タグは、

呼び掛け信号を受信することによって前記物品の存在の検出し、応答信号を返すために用いるアンテナと、

前記アンテナと結合された受動共振回路と、

特有の識別子を蓄積可能なプログラム可能なメモリであって、前記メモリは、前記受動共振回路によって電力が供給され、その中に蓄積された前記特有の識別子を出力するメモリと、

を備えた、RFIDタグ。

【請求項33】前記特有の識別子は、64ビット識別子を含む、請求項32に記載のRFIDタグ。

【請求項34】前記RFIDタグは、非活性化されていない、請求項32に記載のRFIDタグ。

【請求項35】前記物品は、図書館の物品である、請求項32に記載のRFIDタグ。

【請求項36】複数の借り入れ可能な物品であって、各物品は、その上に取り付けられた無線周波数タグを有し、前記無線周波数タグは、特有の識別コードを有する、物品と、

図書館の各物品の位置表示を含むデータベースと、借りられた物品の図書館の位置の外部での返却場所とに結合したプロセッサと、



を備え、

前記借りられた物品の返却場所は、借りられた物品を挿入できるレセプタクル (receptacle) を有し、前記レセプタクルは、その上に取り付けられた無線周波数タグを有する図書館の物品の挿入を検出するアンテナを有し、

前記借りられた物品の返却場所は、図書館の物品のレセプタクルへの挿入に応じて、識別コードを検出し、前記返却された図書館の物品に対応する前記識別コードを前記プロセッサに送信し、前記プロセッサは、受け取った前記識別コードに応じて、前記返却された図書館の物品が前記図書館に返却されたことを示すように、前記返却された図書館の物品に関連する前記データベースにおける情報を更新する、図書館モニターシステム。

【請求項 37】前記返却場所又は返却ステーションは、前記図書館の物品が前記レセプタクルに挿入されたことを前記返却場所又は返却ステーションで検出した場合に、前記物品が返却された場所を示す信号をプロセッサに送信する、請求項 36 に記載のシステム。

【請求項 38】前記プロセッサは、返却された物品の蓄積領域に追加して結合する、請求項 36 に記載のシステム。

【請求項 39】前記プロセッサは、借り入れ場所に追加して結合する、請求項 36 に記載のシステム。

【請求項 40】複数の借り入れステーションが図書館内に設けられた、請求項 39 に記載のシステム。

【請求項 41】前記借り入れ場所には、利用者が借りたいと望む図書館の物品の上の無線周波数タグを読み取る無線周波数タグの呼び掛け器を備えており、前記借り入れ場所は、図書館の物品に関する識別信号と、前記借り手に関する識別信号とを前記プロセッサに送信し、前記プロセッサは、前記物品が借り手によって借りられたことを示す、図書館の物品と前記借り手に関する識別情報によって前記データベースを更新する、請求項 39 に記載のシステム。

【請求項 42】複数の借り入れステーションが図書館内に設けられた、請求項 41 に記載のシステム。

【請求項 43】利用者がチェックアウトするのに利用できる物品を有する図書館のためのセルフサービスのチェックアウト・システムであって、それらの物品の各々は、それに付着される無線周波数タグを有し、各タグには、呼び掛け信号を受信し、そして応答信号を返信することによって、その物品の存在を検出するのに用いられるアンテナと、アンテナに接続され、物品識別情報を蓄積し、呼び掛け器による前記タグの呼び掛けへの応答信号で、その物品識別情報を出力する集積回路とが含まれ、前記システムはまた、各々に無線周波数タグが含まれる複数の利用者識別カードを有しており、前記システムは、

(a) 前記図書館のチェックアウト領域に配置されており、図書館利用者が借りたいと望む少なくとも一つの物品に呼び掛けると共に、前記システムへの図書館利用者を識別する図書館利用者識別 (ID) カードに実質的に同時に呼び掛けるための呼び掛け器であって、前記呼び掛け器は、借りられた各物品についての蓄積された物品識別情報と、前記 ID カードからの図書館利用者情報とを含む応答信号を受信し、前記呼び掛け器は、前記物品又は図書館利用者識別カードの方向に関係なく前記応答信号を受信し、前記呼び掛け器は、複数のタグ付けされた物品からの応答信号を実質的に同時に受信する、呼び掛け器と、

(b) 前記図書館における物品のリストと、それら物品の各々の貸し出し状態を含むインベントリ・データベースであって、前記利用者識別情報および前記借りられる物品の各々についての物品識別情報を受け取るインベントリ・データベースと、

(c) 前記借りられる物品の貸し出し状態を更新するために前記データベースと通信を行うプロセッサと、

を備える、利用者がチェックアウトするのに利用できる物品を有する図書館のためのセルフサービスのチェックアウト・システム。

【請求項 44】さらに、

(d) 前記チェックアウト領域の画像をとらえ、そしてそのとらえた画像のビデオ信号を出力するビデオ・カメラと、

(e) 前記ビデオ信号をビデオ蓄積媒体に蓄積するビデオ・レコーダと、を備える、請求項43に記載のシステム。

【請求項45】前記タグは、物理的に非活性化できないタグである、請求項43に記載のシステム。

【請求項46】図書館に保持された物品と関連して使用される図書館インベントリー管理システムであって、各物品は、その上に取り付けられた無線周波数タグを有し、各タグは、呼び掛け信号を受信し、応答信号を返信することによって物品の存在を検出するために用いられるアンテナと、前記アンテナと接続されており、物品識別信号を蓄積し、前記物品識別信号を呼び掛け器による前記タグの呼び掛けに対する応答信号で出力するための集積回路とを有し、前記システムは、

前記図書館における物品とその各物品の貸し出し状態のリストを有するインベントリー・データベースと、

前記システムの図書館利用者を識別する図書館利用者識別デバイスと、

前記図書館のチェックアウト領域に配置された物品チェックアウト・システムであって、前記物品チェックアウト・システムは、図書館利用者が図書館から移動させたいと望む物品に呼び掛けるための第1呼び掛け器を備え、前記第1呼び掛け器は、移動させる物品についての蓄積された物品識別情報を含む応答信号を受信する、物品チェックアウト・システムと、

前記第1呼び掛け器及び前記データベースと通信するプロセッサであって、前記プロセッサは、図書館利用者識別情報と、前記第1呼び掛け器から移動される前記物品についての物品識別情報とを受信し、移動される前記物品の貸し出し状態によって前記インベントリー・データベースを更新する、プロセッサと、

前記図書館から移動させた物品を受け取る少なくとも一つの物品返却領域を含む物品チェックイン・システムであって、返却された各物品は、前記物品が返却された際にチェックイン・ゾーンを通過する、チェックイン・システムと、

前記インベントリー・データベースと通信する第2呼び掛け器であって、前記第2呼び掛け器は、前記ゾーン内におけるタグの存在によって引き起こされる応答信号の形での擾乱について前記チェックイン・ゾーンをモニターし、前記ゾーン内でタグが検出された場合に呼び掛け器出力信号を出力し、各呼び掛け器出力信号には、返却される物品について呼び掛けられたタグの前記集積回路に蓄積された前記識別情報を含み、前記インベントリー・データベースは、呼び掛け器出力信号を受信し、前記呼び掛け器出力信号を用いて返却される物品の前記チェックアウト状態を更新する、第2呼び掛け器と、

前記図書館からの出口をモニターするための出口呼び掛け器であって、前記出口呼び掛け器は出口を通過し、その結果図書館から移動する物品に呼び掛け、前記出口呼び掛け器は、前記物品と関連付けられた前記タグからの応答信号を受信し、前記応答信号には、前記出口を通過する前記物品についての蓄積された物品識別情報を含む、出口呼び掛け器と、

前記出口呼び掛け器と結合された出口プロセッサであって、前記出口プロセッサは、前記出口呼び掛け器から、前記応答信号の前記識別情報を含む出力信号を受信し、前記出口プロセッサは、前記受信した識別情報と前記データベースに蓄積された情報とを比較して、前記物品がチェックアウトの際にその中に記録されたか否かを判断し、前記出口呼び掛け器は、出口を通過する物品がチェックアウトの際にデータベースに記録されていないものである場合には、アラームを作動させる、出口呼び掛け器と、を備えた、図書館インベントリー管理システム。

【請求項47】前記第1及び第2呼び掛け器は、同一である、請求項46に記載のシステム。

【請求項48】図書館の蓄積領域に保持された図書館の物品と関連して使用されるインベントリー管理システムであって、各物品は、その上に取り付けられた無線周波数タグを有し、各タグは、呼び掛け信号を受信し、応答信号を返信することによって物品の存在を検出するために用いられるアンテナと、前記アンテナと接続されており、物品識別信号を蓄

積し、前記物品識別信号を呼び掛け器による前記タグの呼び掛けに対する応答信号で出力するための集積回路とを有し、前記システムは、

(a) 前記蓄積領域から移動されたものであって、前記蓄積領域に返却されるべき物品を受け取るための少なくとも一つの物品返却領域であって、前記物品返却領域には、呼び掛けゾーンと、返却された物品を保持する収集容器とを備え、前記返却された物品は前記物品が返却された際に前記ゾーンを通過し、前記収集容器に入り、複数の物品は、前記ゾーン内に同時に存在しうる、物品返却領域と、

(b) 前記ゾーン内における一以上のタグの存在によって引き起こされる応答信号の形での擾乱について前記ゾーンをモニターするための呼び掛け器であって、前記呼び掛け器は、前記ゾーン内にある各図書館の物品に実質的に同時に呼び掛けを行い、前記ゾーン内で検出された各タグについての呼び掛け器出力信号を出力し、各呼び掛け器出力信号には、前記呼び掛けられたタグの前記集積回路に蓄積された前記識別情報を含み、前記呼び掛け器は、前記呼び掛け器出力信号を受信するためのデータベースと連結可能であって、前記データベースには、前記システムによってモニターされた図書館の物品についての、チェックアウト状態データを含むインベントリ・データを有し、前記受信した呼び掛け器出力信号は、返却された各図書館の物品の前記チェックアウト状態データを更新するために用いられる、呼び掛け器と、

を備えた、インベントリ管理システム。

【請求項49】前記物品返却領域は、図書館の図書返却箱である、請求項48に記載のシステム。

【請求項50】前記インベントリ・データは、物品利用データを含む、請求項48に記載のシステム。

【請求項51】前記データベースは、システムによってモニターされる物品についての蓄積領域位置データを含む、請求項48に記載のシステム。

【請求項52】蓄積領域に保持された図書館の物品と関連して使用される図書館インベントリ管理方法であって、各物品は、その上に取り付けられた無線周波数タグを有し、各タグは、呼び掛け信号を受信し、応答信号を返信することによって図書館の物品の存在を検出するために用いられるアンテナと、前記アンテナと接続されており、物品識別信号を蓄積し、前記タグの呼び掛けに対する応答信号で前記物品識別信号を出力するための集積回路とを有し、前記方法は、

(a) モバイル呼び掛け器で蓄積領域の一部をスキャンニングするステップであって、前記モバイル呼び掛け器は、前記呼び掛け器から延びる所定ゾーン内における図書館の物品上のタグの存在によって引き起こされる応答信号の形での擾乱を検出し、タグが前記ゾーン内に検出された場合に、呼び掛け器出力信号を出力し、各呼び掛け器出力信号には、呼び掛けられたタグの前記集積回路に蓄積された前記識別情報を含み、前記図書館の蓄積領域の部分に位置している複数の物品が同時にスキャンニングされる、ステップと、

(b) 前記呼び掛け器出力信号をデータベースに伝達するステップであって、前記データベースは、図書館の蓄積領域に保持された物品についてのインベントリ・データを含み、前記インベントリ・データは、前記タグ付けされた物品から得られ、受信した前記呼び掛け器出力信号のみを用いてアップグレードされる、ステップと、

(c) 前記受信した呼び掛け器出力信号と前記インベントリ・データとを用いて、所定のスキャンニングされた部分にある図書館の物品が、前記スキャンニングされた部分に属する物品の範囲の外側にあるか否かを判断するステップとを含む、図書館インベントリ管理方法。

【請求項53】物品が、スキャンニングされた部分に属する図書館の物品の範囲の外側にあると判断された場合に、前記物品が誤った位置に配置されていることの信号を出すステップをさらに含む、請求項52に記載の方法。

【請求項54】蓄積領域に保持された物品と関連して使用される図書館インベントリ管理システムであって、各物品は、その上に取り付けられた無線周波数タグを有し、各タグは、呼び掛け信号を受信し、応答信号を返信することによって物品の存在を検出するため

に用いられるアンテナと、前記アンテナと接続されており、物品識別信号を蓄積し、呼び掛け器による前記タグの呼び掛けに対する応答信号で前記物品識別信号を出力するための集積回路とを有し、前記システムは、

(a) 個々の部分にある図書館の蓄積領域をスキャンニングし、前記呼び掛け器から延びるゾーン内のタグの存在によって引き起こされる応答信号の形での擾乱を検出し、前記ゾーン内で検出された各タグについての呼び掛け器出力信号を出力するポータブルRFIDスキャナであって、前記個々の部分に位置する複数の物品は同時にスキャンニングされ、各呼び掛け器出力信号には呼び掛けられたタグの集積回路に蓄積された前記識別情報を含む、ポータブルRFIDスキャナと、

(b) 前記ポータブルRFIDスキャナと電氣的に接続されたポータブルコンピュータであって、前記図書館領域の個々の部分の一つに配置された物品に取り付けられたタグからの前記呼び掛け器出力信号から得られた前記識別情報を蓄積し、図書館の物品のインベントリとの比較のために前記識別情報によって物品を識別し、それによって前記物品の貸し出し状態を判断する、ポータブルコンピュータと、

を備えた、図書館インベントリ管理システム

【請求項55】前記ポータブルコンピュータは、図書館の物品の前記インベントリの少なくとも一部をメモリ領域に蓄積可能である、請求項54に記載のシステム。

【請求項56】前記タグは、物理的に非活性化できないタグである、請求項54に記載のシステム。

【請求項57】前記図書館の物品は、図書を含む、請求項54に記載のシステム。

【請求項58】前記図書館の個々の部分は、本棚の少なくとも一部である、請求項54に記載のシステム。

【請求項59】蓄積領域に保持された物品と関連して使用される図書館インベントリ管理システムであって、各物品は、その上に取り付けられた無線周波数タグを有し、各タグは、呼び掛け信号を受信し、応答信号を返信することによって物品の存在を検出するために用いられるアンテナと、前記アンテナと接続されており、物品識別信号を蓄積し、呼び掛け器による前記タグの呼び掛けに対する応答信号で前記物品識別信号を出力するための集積回路とを有し、前記システムは、

物品チェックアウト領域に配置された物品チェックアウト・システムであって、前記チェックアウト・システムには、図書館利用者が前記蓄積領域から移動させたいと望む物品に呼び掛けを行う第1呼び掛け器を有し、前記第1呼び掛け器は、移動させる物品についての蓄積された物品識別情報を含む応答信号を受信する、物品チェックアウト・システムと、

前記第1呼び掛け器及び前記データベースと通信するプロセッサであって、前記プロセッサは、前記第1呼び掛け器から移動される前記物品についての図書館利用者識別情報を受信し、移動される前記物品の貸し出し状態を示すインベントリ・データベース更新信号を出力する、プロセッサと、

前記蓄積領域から移動され、前記蓄積領域に返却されるべき物品を受け取るための少なくとも一つの物品返却領域を含む物品チェックイン・システムであって、前記物品返却領域には、呼び掛けチェックイン・ゾーンを含み、返却された各物品は、前記物品が返却された際に前記チェックイン・ゾーンを通過し、複数の物品が前記ゾーン内に同時に存在可能である、物品チェックイン・システム

前記プロセッサと通信する第2呼び掛け器であって、前記第2呼び掛け器は、前記ゾーン内におけるタグの存在によって引き起こされる応答信号の形での擾乱について前記チェックイン・ゾーンをモニターし、前記第2呼び掛け器は、前記ゾーン内の各物品に同時に呼び掛け、前記ゾーン内で各タグが検出された場合に呼び掛け器出力信号を出力し、各呼び掛け器出力信号には、返却される前記物品について呼び掛けられたタグの前記集積回路に蓄積された前記識別情報を含み、前記プロセッサは、インベントリ・データベースに信号を出力し、前記信号は、返却される各物品のチェックアウト状態データを示す、第2呼び掛け器と、

を備えた、図書館インベントリー管理システム。

【請求項 60】個々の部分における蓄積領域をスキミングするためのモバイル呼び掛け器であって、前記モバイル呼び掛け器から延びる所定ゾーン内のタグの存在によって引き起こされる応答信号の形で擾乱を検出し、かつ、そのゾーンでタグが検出されるとき、呼び掛け器出力信号を出力し、各呼び掛け器信号には、呼び掛けられるタグの集積回路に蓄積された識別情報が含まれ、前記信号は、その信号中に情報と共に蓄積された物品の貸し出し状態を更新するために、データベースに送信される、モバイル呼び掛け器をさらに備える、請求項 59 に記載のシステム。

(51)Int.Cl.<sup>7</sup>

B 6 5 G 1/137  
// G 0 1 S 17/74

識別記号

F I

B 6 5 G 1/137  
G 0 1 S 17/74

テマコード\*(参考)

A 3 F 0 2 2  
5 J 0 8 4

審査請求 未請求 請求項の数5 O L (全7頁)

(21)出願番号 特願平11-209914

(22)出願日 平成11年7月23日(1999.7.23)

(71)出願人 591123148  
中里 保彦  
大阪府大東市中垣内1丁目417番地  
(71)出願人 390020857  
泉州電業株式会社  
大阪府大阪市北区兔我野町2番4号  
(71)出願人 594021728  
株式会社エステック  
大阪府吹田市南金田1丁目4番21号  
(72)発明者 中里 保彦  
大阪府大東市中垣内1丁目417番地  
(74)代理人 100082072  
弁理士 清原 義博

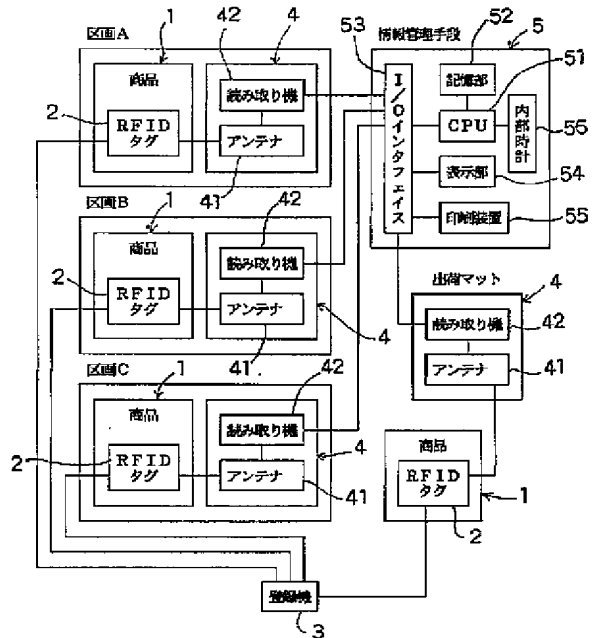
最終頁に続く

(54)【発明の名称】 商品管理システム

(57)【要約】

【課題】 店舗や倉庫における商品の管理を容易且つ確実に、しかもリアルタイムで行うことができる商品管理システムを提供すること。

【解決手段】 複数の区画に保管もしくは陳列された商品と、該商品に装着され商品に固有の識別コードを有するRFIDタグと、該RFIDタグに識別コードを書き込む登録機と、該RFIDタグの信号を受信するアンテナと該アンテナで受信された信号から識別コードを読み取る読み取り機とからなる読み取りユニットと、読み取り機にて読み取られた識別コードが送信される情報管理手段からなり、該情報管理手段は、種類や値段等の商品情報が予め記憶され且つ読み取り機から送信された識別コードを記憶する記憶部と、該記憶部に記憶された識別コードと商品情報とを結合して表示部に表示するCPUとを備え、読み取りユニットは各区画毎に設置され且つ各区画毎に個別のアドレスが付されている。



## 【特許請求の範囲】

【請求項1】 複数の区画に保管もしくは陳列された商品と、該商品に装着され該商品に固有の識別コードを有するRFIDタグと、該RFIDタグに前記識別コードを書き込む登録機と、該RFIDタグの信号を受信するアンテナと該アンテナと接続されアンテナで受信された信号から識別コードを読み取る読み取り機とからなる読み取りユニットと、前記読み取り機にて読み取られた識別コードが送信される情報管理手段からなり、該情報管理手段は、種類や値段等の商品情報が予め記憶され且つ前記読み取り機から送信された識別コードを記憶する記憶部と、該記憶部に記憶された識別コードと商品情報とを結合して表示部に表示するCPUとを備えてなり、前記読み取りユニットは各区画毎に設置され且つ各区画毎に個別のアドレスが付されてなることを特徴とする商品管理システム。

【請求項2】 前記複数の区画が、商品陳列用の棚であることを特徴とする請求項1記載の商品管理システム。

【請求項3】 前記商品が入出荷用の倉庫に保管され、該倉庫の出入口に前記読み取りユニットが配設されてなることを特徴とする請求項1又は2記載の商品管理システム。

【請求項4】 前記商品を扱う作業者に各作業者に固有の識別コードを有するRFIDタグが装着されるとともに、前記情報管理手段の記憶部に作業者の氏名等の個人情報情報が予め記憶されてなることを特徴とする請求項1乃至3いずれかに記載の商品管理システム。

【請求項5】 前記商品が人体に有毒な毒物であることを特徴とする請求項1乃至4いずれかに記載の商品管理システム。

## 【発明の詳細な説明】

## 【0001】

【発明の属する技術分野】本発明は商品管理システムに係り、その目的は店舗や倉庫における商品の管理を容易且つ確実に、しかもリアルタイムで行うことができる商品管理システムを提供することにある。尚、この明細書において、RFIDタグとはデータキャリアシステム（移動体識別装置）において使用されるラジオ フリクエーション アイデンティフィケーション（Radio Frequency Identification）タグのことをいう。

## 【0002】

【従来の技術】従来、商品の管理は、月末や決算時に棚卸しをして現物と伝票との確認をすることにより行われていたが、数え間違いや商品知識がないための間違いが多く、大変な手間を伴うわりには正確な管理を行うことができなかった。そこで、最近では各商品に個別の識別番号を付したバーコードを装着し、このバーコードを読み取ることによって、商品の情報をコンピュータ管理する方法が広く採用されている。

## 【0003】

【発明が解決しようとする課題】しかしながら、従来行われているバーコードを使用した商品管理では、バーコードが装着された位置を探し出して読み取る必要があるため読み取りに手間がかかり、特に重い商品の底部にバーコードが装着されている場合などには大変であった。本発明はこのような課題を解決するためになされたものであって、商品情報の読み取りに手間がかかることがなく、容易で正確且つタイムリーな商品管理を行うことができる商品管理システムを提供しようとするものである。

## 【0004】

【課題を解決するための手段】請求項1に係る発明は、複数の区画に保管もしくは陳列された商品と、該商品に装着され該商品に固有の識別コードを有するRFIDタグと、該RFIDタグに前記識別コードを書き込む登録機と、該RFIDタグの信号を受信するアンテナと該アンテナと接続されアンテナで受信された信号を読み取る読み取り機とからなる読み取りユニットと、前記読み取り機にて読み取られた識別コードが送信される情報管理手段からなり、該情報管理手段は、種類や値段等の商品情報が予め記憶され且つ前記読み取り機から送信された識別コードを記憶する記憶部と、該記憶部に記憶された識別コードと商品情報とを結合して表示部に表示するCPUとを備えてなり、前記読み取りユニットは各区画毎に設置され且つ各区画毎に個別のアドレスが付されてなることを特徴とする商品管理システムに関する。請求項2に係る発明は、前記複数の区画が、商品陳列用の棚であることを特徴とする請求項1記載の商品管理システムに関する。請求項3に係る発明は、前記商品が入出荷用の倉庫に保管され、該倉庫の出入口に前記読み取りユニットが配設されてなることを特徴とする請求項1又は2記載の商品管理システムに関する。請求項4に係る発明は、前記商品を扱う作業者に各作業者に固有の識別コードを有するRFIDタグが装着されるとともに、前記情報管理手段の記憶部に作業者の氏名等の個人情報情報が予め記憶されてなることを特徴とする請求項1乃至3いずれかに記載の商品管理システムに関する。請求項5に係る発明は、前記商品が人体に有毒な毒物であることを特徴とする請求項1乃至4いずれかに記載の商品管理システムに関する。

## 【0005】

【発明の実施の形態】以下、本発明に係る商品管理システムの好適な実施形態について、図面を参照しつつ説明する。図1は本発明に係る商品管理システムの基本構成を示す図である。本発明に係る商品管理システムは、複数の区画に保管もしくは陳列された商品(1)と、該商品に装着され商品に固有の識別コードを有するRFIDタグ(2)と、該RFIDタグに前記識別コードを書き込む登録機(3)と、該RFIDタグからの信号を受信

して読み取る読み取りユニット(4)と、該読み取りユニットと送受信可能に接続された情報管理手段(5)とから構成される。

【0006】本発明における商品(1)は、電化製品、文房具、服飾品、食品、自動車用品等の商取引される物品であってその種類は特に限定されず、これらの商品

(1)は商品の種類毎に分けて入出荷用の倉庫に保管され、もしくは販売の為に店舗に陳列される。

【0007】RFIDタグ(2)としては、内部アンテナとICチップがケース内に収納されてなる公知のRFIDタグが使用される。使用されるRFIDタグ(2)の形状は特に限定されず、ディスク型、カード型、円筒型等の種々の形状のものから商品に装着するのに適したものを適宜選択して使用すればよい。RFIDタグ内部のICチップには、ID用メモリや通信に必要な制御回路等が収められており、ID用メモリには装着される商品に固有の識別コードが登録機(3)によって書き込まれる。

【0008】読み取りユニット(4)は、RFIDタグ(2)の信号を受信するアンテナ(41)と、該アンテナ(41)と接続されアンテナで受信された信号を読み取る読み取り機(42)とからなる。読み取り機(42)は、RFIDタグ(2)に対して電波(電磁波)を発信してRFIDタグ(2)に応答用エネルギーを与えると同時に、送信状態から受信状態に切り替わって、RFIDタグ(2)からの信号をアンテナ(41)を介して受信する。また、読み取り機(42)には入出力インターフェイスが備えられており、読み取り機(42)はこの入出力インターフェイスを介して情報管理手段(5)と接続されている。

【0009】上記した読み取りユニット(4)は、商品(1)が保管もしくは陳列された区画毎に設置され、各区画毎に個別のアドレスが設定されている。例えば、5種類の商品(1)が各種類毎に5個の陳列棚に分かれて陳列されている場合、1つの陳列棚を1つの区画として、各陳列棚にそれぞれ読み取りユニット(4)を設置する。そして、各読み取りユニット(4)に対して、例えばA、B、C、D、Eという個別のアドレスを設定する。尚、本発明における区画の設定は任意であり、例えば一つの部屋を複数のエリアに分割して各エリアをそれぞれ1つの区画としてもよいし、一つの棚の各段をそれぞれ1つの区画としてもよいが、例えば同種類の商品が収容されている場所毎に区画を形成すると商品管理上好ましい。

【0010】情報管理手段(5)は、CPU(51)と、RAMやROM等のメモリからなり各種プログラムが記憶された記憶部(52)と、入出力インターフェイス(53)と、ディスプレイ等の表示部(54)と、プリンタ等の印刷装置(55)と、内部時計(56)とを備えている。情報管理手段(5)は、読み取り機(4

2)から送信される識別コードの情報信号を入出力インターフェイス(53)を介して受信し、記憶部(52)に記憶する。情報管理手段(5)の記憶部(52)には、商品の種類や値段等の商品情報と各読み取りユニットに付されたアドレスに対応した区画名を示す区画情報が予め記憶されており、この商品情報及び区画情報と読み取り機(42)から送られた識別コード及びアドレスとがCPU(51)により結合され、どの区画に設置された読み取りユニット(4)がどの商品を検知したかという情報として表示部(54)に表示されるとともに、記憶部(52)に記憶される。

【0011】尚、本発明においては、商品(1)が保管もしくは陳列される区画及び区画内に配設された読み取りユニット(4)をディスプレイ(表示部)上でレイアウトすることができるソフトプログラムを情報管理手段(5)の記憶部(52)に記憶させておくことが好ましく、これによって商品管理をより容易に行うことが可能となる。

【0012】図2は読み取りユニット(4)の設置方法の一例を示す概略図である。図示例では、4段の載置部を備えた陳列棚(6)の各段に商品(1)が陳列されており、各段毎に読み取りユニットが設置されている。アンテナは各段上面に敷かれたマット(7)の中に配設されており、読み取り機(42)はアンテナと接続された状態で各段の端部に載置されている。この場合、1つの段が1つの区画を構成しており、各段の読み取りユニット(4)にはそれぞれ個別のアドレスが設定されている。そして、商品(1)が各棚の上面に載置されることによって商品(1)に装着されたRFIDタグ(2)からの信号がマット(7)内のアンテナにより受信されて読み取り機(42)にて読み取られ、図示していない情報管理手段へと送られる。情報管理手段では、読み取り機(42)からの信号を受信した時刻が内部時計(56)によって計測されて、商品の検知情報とともに記憶される。これによって、陳列棚(6)のどの段にいくつの商品(1)が載置されているかをリアルタイムで把握することができ、また盗難や紛失を検知することも可能となる。

【0013】また本発明においては、上記構成に加えて、商品が保管もしくは陳列された部屋の出入口に読み取りユニット(4)を配設することが好ましい。図3は、複数の保管棚(11)を備えた倉庫(8)の出入口(9)にマット(10)を敷設し、このマット(10)の内部にアンテナを配設し、このアンテナを読み取り機(42)と接続した例を示している。尚、各保管棚(11)にはRFIDタグが装着された商品が収容されている。この例の構成によれば、商品の出入口(9)の通過を読み取り機(42)にて読み取ることができるので、在庫の有無の情報に加えて入荷及び出荷がいつ行われたかの情報についても把握することができ、商品の動きを



リアルタイムで管理することが可能となる。

【0014】また上記構成において、商品が出入口(9)を通過したときに、読み取り機(42)からの信号を受信した情報管理手段(5)から印刷装置(55)に命令を出して、自動的に商品の納品書が発行されるようにするとより好ましい。

【0015】また、商品を扱う作業者にRFIDタグ(2)を装着する構成も好ましく採用できる。この場合、作業者に装着されるRFIDタグ(2)には作業者に固有の識別コードが登録され、情報管理手段(5)の記憶部(52)には該識別コードに対応する作業者の氏名等の個人情報記憶される。そして、作業者に装着されたRFIDタグ(2)が読み取りユニット(4)にて読み取られると、読み取られた識別コードは情報管理手段(5)に送られ、情報管理手段(5)において識別コードと個人情報がCPU(51)により結合されて表示部(54)に表示されるとともに記憶部(52)に記憶される。このような構成を採用すると、商品の動きだけでなく誰がその商品を運んだかという情報をも把握することができ、よりトータルの商品管理を行うことが可能となる。

【0016】また、本発明に係るシステムは、商品(1)が人体に有毒な砒素や青酸カリ等の毒物である場合にも有効である。この場合、毒物が入った瓶や缶などの容器に、各毒物容器に固有の識別コードが登録されたRFIDタグ(2)を装着し、情報管理手段(5)の記憶部(52)に該識別コードに対応する毒物の種類等の情報を記憶する。そして、毒物が保管される棚や箱に例えば図2に示すように読み取りユニットを設置しておく。すると、毒物が入った瓶や缶が持ち出された場合、これを読み取りユニットが検知して容器に装着されたRFIDタグ(2)の識別コードが情報管理手段(5)に送られ、情報管理手段(5)において識別コードと商品情報(毒物の情報)とがCPU(51)により結合されて表示部(54)に表示されるとともに記憶部(52)に記憶される。このシステムによれば、毒物の保管状態をリアルタイムで確認することができ、紛失や盗難を迅速に把握することが可能となる。また、上記したように商品(毒物)を扱う作業者にRFIDタグ(2)を装着しておく、どの作業者が毒物を持ち出したかも把握することが可能となる。この場合、毒物保管庫や毒物保管棚の鍵の開閉装置を情報管理手段(5)からの信号によって作動可能に接続し、作業者に装着されたRFIDタグ(2)の識別コードが読み取られた場合のみ毒物保管庫や毒物保管棚の鍵が開放されるようにすると好ましい。また、情報管理手段(5)に警告音発生装置を接続し、RFIDタグ(2)を装着していない人が毒物を移動させようとした時には情報管理手段(5)からの信号に基づいて警告音発生装置から警告音が発生されるようにする構成も好ましく採用できる。

【0017】以下、本発明に係る商品管理システムの作用の一例を図4のフローチャート図に基づいて説明する。まず、登録機を使用してRFIDタグに入荷された商品の識別コードを書き込み、各区画に設置された読み取りユニットに個別のアドレスを設定する。そして、識別コードに対応する商品の種類や値段等の商品情報と、読み取りユニットに付されたアドレスに対応する区画名を示す区画情報を情報管理手段の記憶部に記憶させる。次いで、識別コードが書き込まれたRFIDタグを商品に装着し、この商品を陳列棚(所定区画)に収納する。商品が陳列棚に収納されると、陳列棚に配設された読み取りユニットによって商品のRFIDタグの識別コードが読み取られ、読み取られた識別コードは情報管理手段に送信されて読み取りユニットのアドレスとともに記憶部に記憶される。商品が販売される等して陳列棚から移動されると、移動された商品のRFIDタグの識別コードは陳列棚の読み取りユニットで読み取られなくなり、情報管理手段にてどの商品がいつどの読み取りユニットから読み取られなくなったかがCPUにより判断され、情報管理手段の表示部に表示される。商品管理者は、表示部の表示からどの商品がいつどの陳列棚から無くなったかを把握し、現在の在庫状況を確認することができる。

【0018】

【発明の効果】以上説明したように、請求項1に係る発明は、複数の区画に保管もしくは陳列された商品と、該商品に装着され該商品に固有の識別コードを有するRFIDタグと、該RFIDタグに前記識別コードを書き込む登録機と、該RFIDタグの信号を受信するアンテナと該アンテナと接続されアンテナで受信された信号を読み取る読み取り機とからなる読み取りユニットと、前記読み取り機にて読み取られた識別コードが送信される情報管理手段からなり、該情報管理手段は、種類や値段等の商品情報が予め記憶され且つ前記読み取り機から送信された識別コードを記憶する記憶部と、該記憶部に記憶された識別コードと商品情報とを結合して表示部に表示するCPUとを備えてなり、前記読み取りユニットは各区画毎に設置され且つ各区画毎に個別のアドレスが付されてなることを特徴とする商品管理システムであるから、以下に述べる効果を奏する。すなわち、RFIDタグによる非接触識別システムを使用するので、従来のバーコードを使用した商品管理のように商品情報の読み取りに手間がかかることがなく、正確且つタイムリーな商品管理を簡単に行うことができる。また、販売あるいは出荷されて管理が必要なくなった商品に装着されたRFIDタグは取り外して別の商品に装着することができるので、RFIDタグのリサイクルが可能である。

【0019】請求項2に係る発明は、前記複数の区画が、商品陳列用の棚であることを特徴とする請求項1記載の商品管理システムであるから、陳列棚に陳列された

7

商品が販売等によって棚から移動された場合に、その情報をリアルタイムで把握することができる。そのため、確実な商品管理を行うことが可能で、しかも盗難や紛失があった場合にもこれを迅速に把握することができる。

【0020】請求項3に係る発明は、前記商品が入出荷用の倉庫に保管され、該倉庫の出入口に前記読み取りユニットが配設されてなることを特徴とする請求項1又は2記載の商品管理システムであるから、商品の入荷及び出荷についての情報をリアルタイムで把握することができる。

【0021】請求項4に係る発明は、前記商品を扱う作業者に各作業者に固有の識別コードを有するRFIDタグが装着されるとともに、前記情報管理手段に作業者の氏名等の個人情報が予め記憶されてなることを特徴とする請求項1乃至3いずれかに記載の商品管理システムであるから、商品の動きだけでなく誰がその商品を運んだかという情報をも把握することができ、よりトータル的な商品管理を行うことが可能となる。

【0022】請求項5に係る発明は、前記商品が人体に有毒な毒物であることを特徴とする請求項1乃至4いずれかに記載の商品管理システムであるから、毒物の紛失や盗難を速やかに発見することができ、毒物が犯罪に使

8

用されるのを未然に防ぐことが可能となる。

【図面の簡単な説明】

【図1】本発明に係る商品管理システムの基本構成を示す図である。

【図2】読み取りユニットの設置方法の一例を示す概略図である。

【図3】読み取りユニットの設置方法の一例を示す概略図である。

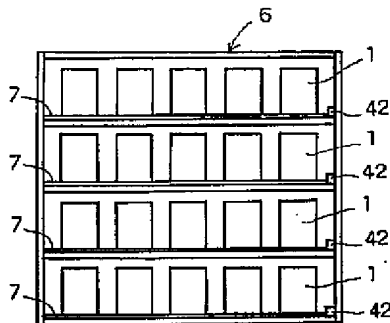
【図4】本発明に係る商品管理システムの作用を示すフローチャート図である。

10

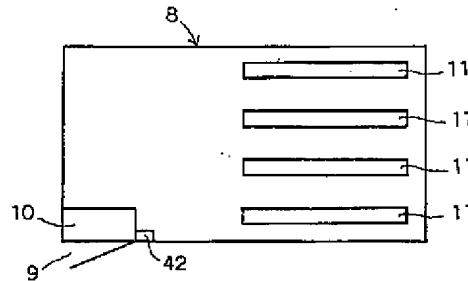
【符号の説明】

- 1 商品
- 2 RFIDタグ
- 3 登録機
- 4 読み取りユニット
- 5 情報管理手段
- 41 アンテナ
- 42 読み取り機
- 51 CPU
- 52 記憶部
- 54 表示部

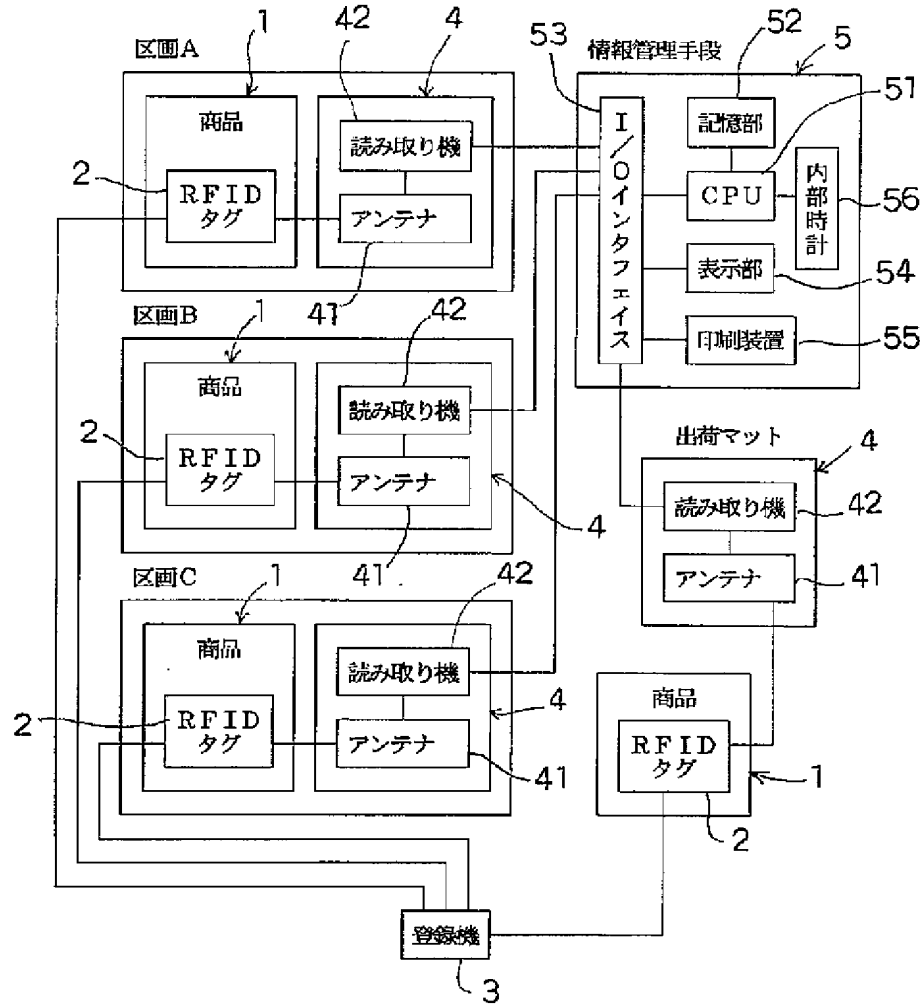
【図2】



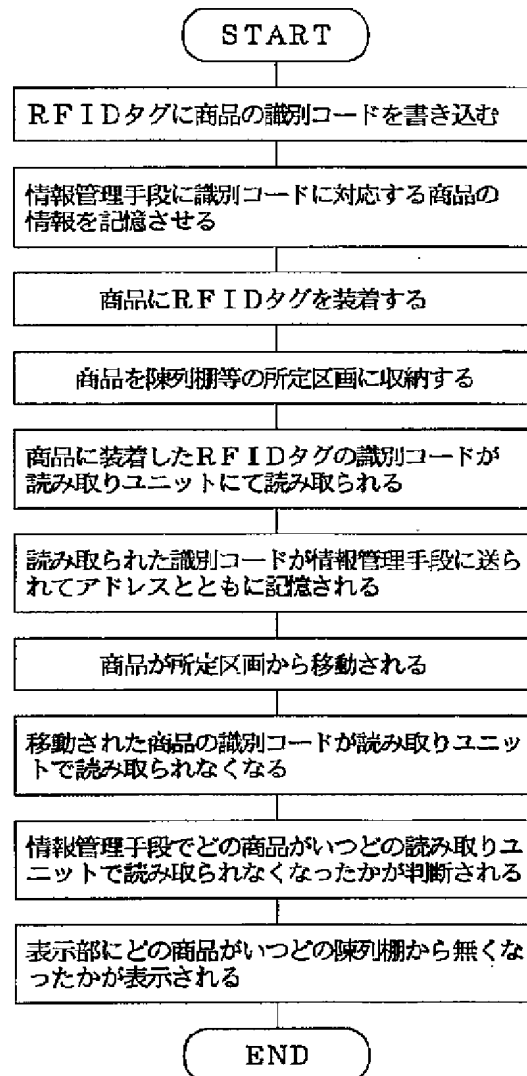
【図3】



【図1】



【図4】



フロントページの続き

Fターム(参考) 3F022 FF01 MM08 MM11 MM22 MM28  
MM32 MM35 MM51 MM70 PP04  
5J084 AD11 CA31 EA04